



Contents

Introduction	2	Multi Channel Amplifiers	
Digitally Controlled Mixers		CXA6 Multi Channel Amplifier.....	16
DCMI Digitally Controlled Zone Mixer.....	3	CXA450 Multi Channel Amplifier.....	16
DCMI e Ethernet Digital Control Zone Mixer.....	4	CXA850 Multi Channel Amplifier.....	16
DCMI / DCMI e Accessories.....	5	Headphone Distribution Systems	
Venue Mixers		CASI6 / CAMI6 Headphone Distribution Systems.....	17
Z4MK3 Four Zone Venue Mixer	6	Paging Microphones	
Z8MK3 Eight Zone Venue Mixer.....	6	PM & PM-SA Paging Microphones.....	18
Zone Mixers		Accessories	
CX163 2 Zone Stereo Mixer with Mono Utility Output.....	7	AE-1A / DM-1 / LM-1 / LM-2 / LM-2A (B/W) Active Modules.....	19
CX261 MP3 Zone Mixer	7	RL-1 / RL-1A / RL-1m (B/W).....	19
CX263 3 Zone Mixer.....	7	RSL-6 / RSL-6A / RSL-6m (B/W).....	19
CX462 Audio System Controller.....	8	RSL-4 / RSL-4A / RSL-4m (B/W).....	19
CX335 Stereo Compressor Limiter.....	8	XLR-FI (B/W).....	19
Integrated Mixers		XLR-MI (B/W).....	19
46-120 / 46-120 Media Four Zone Integrated Mixer Amplifier.....	9	VCA-2.....	20
CDIS-46 / CXL-4612 / LM-2.....	9	VCA-5.....	20
46-50 Four Zone Integrated Mixer Amplifier.....	10	RE-S.....	20
36-50 Integrated Two Zone Plus Utility Mixer Amplifier.....	10	RE-L.....	20
VTX 4 Channel Amplifiers.....	11	PS-UK / PS-EU / PS-NA.....	20
VTX-WM1 Ethernet Web Monitor Card.....	12	EQ Cards for Amina speakers.....	20
Line Amplifiers		Bose® loudspeaker EQ modules	20
CXV225 100V & 70V Line Amplifiers	13	CXL-800	20
CXV425 100V & 70V Line Amplifiers	13	CXL-1600.....	20
Mixer/Amplifiers		CXL-4160.....	20
MA60 / MA60 Media.....	14	CXL-3120.....	20
General Purpose Amplifiers		CXL-40T.....	20
MPA60 General Purpose Mixer Amplifier	15	CXL-50T.....	20
MPA120 General Purpose Mixer Amplifier.....	15	CXL-100T.....	20
MPA240 General Purpose Mixer Amplifier	15	CXL-200T.....	20
		CXL-400T.....	20
		Product Matrix	
		21
		Contact Us & How To Find Us	
		22

Clearly better sound



For well over three decades Cloud has led the field in high-quality commercial audio systems. Over this time the world's most prestigious and respected brand names have turned to us without question, again and again.

Blue-chip brands from the world of high street retail, international hotel chains, museums, entertainment venues, health and fitness centres: they all choose Cloud. The reason? Together we share an uncompromising commitment to excellence. We understand the importance of reliability in our respective enterprises. We know that quality pays for itself in the end, many times over.

Our clients value clear and faultless sound that is easily managed and consistently trouble free. Cloud enjoys a worldwide reputation for delivering exactly that, a reputation won almost entirely through word of mouth. Performance over time is the only benchmark, and we set that benchmark.

All of our products are backed with a five-year guarantee.



What sets us apart? A four-stage process that guarantees outstanding reliability and performance:

We design for reliability.

The most important stage is the original design integrity. Cloud designs all its products from the principle of reliability first. Over everything, it's of no use having outstanding sound and industrial build if it fails within six months. Dependability and excellence must be one and the same. We design our products for specific tasks, and we call on many years of experience from real-life installations in order to execute this design work appropriately and effectively. Our in-house research and development team doesn't cut corners. It shows over time.



Component choice.

We're meticulous. We choose the best for the job – it's common sense if you're designing for reliability and quality to back it up with the right components. There may be hundreds to choose from. We've tested them all. And we pick the ones we know won't let us down. No weak links, no breakdowns, no errors, no awkward silences, no expensive service call-outs.



Mechanical and electrical testing.

Every single product, when it is being assembled, is put through a stringent range of audio precision tests. Using exacting test equipment and following precise engineer designed scripts, Cloud's experienced test engineers put every product through lengthy electrical and mechanical tests before passing for Sound Testing.



Sound testing.

Once assembled, we then put every single product through extensive sound testing, with people trained to know how to spot the most subtle of defects, often professionals from the field in which the equipment will be used. This is to say we listen to everything we make, turn every switch and push every button. Nothing leaves our facility in Sheffield without working 100%, and ready to carrying on doing so for years.

DCMI : Digitally Controlled Zone Mixer

8 stereo line inputs, 4 ME-1 inputs plus paging mic, 8 balanced outputs (2 stereo plus 6 mono)



General Description

- 8 stereo line inputs (1 balanced)
- 8 balanced line outputs (2 stereo + 6 mono)
- 4 dedicated ports for optional remote line input modules
- 4 dedicated ports for optional remote mic input modules
- Mic paging to all zones with fully programmable override logic
- Separate analogue paging mic input with contact closure zone selection
- Separate RJ45 interface for PM Series digital paging microphones
- Supports multiple CDR-1 Remote Controls (optional) in any wiring configuration
- CDR-1 provides local control of source, level, EQ and group enable
- 2 x 16 character LCD dot-matrix display (both DCM-1 and CDR-1)
- 4 definable zone groups
- Any line input may have priority in any zone; operation also configurable per-zone
- Code-protected "Installer" mode (both DCM-1 and CDR-1) prevents user access to configuration menus
- Inputs, zones and groups can be named
- RS232 interface for control by third-party control systems
- Front-panel LEDs confirm remote access
- Optional equaliser modules for Bose®, Amina and Active Audio loudspeakers can be fitted
- No PC required
- Multiple DCM1's may be cascaded for larger systems
- External Music Mute input for interfacing with emergency systems
- Any input (mic or line) may be assigned as Emergency Input, overriding Music Mute
- 2U 19" rack-mounting unit

Utility Tool Software Download



Input Screen

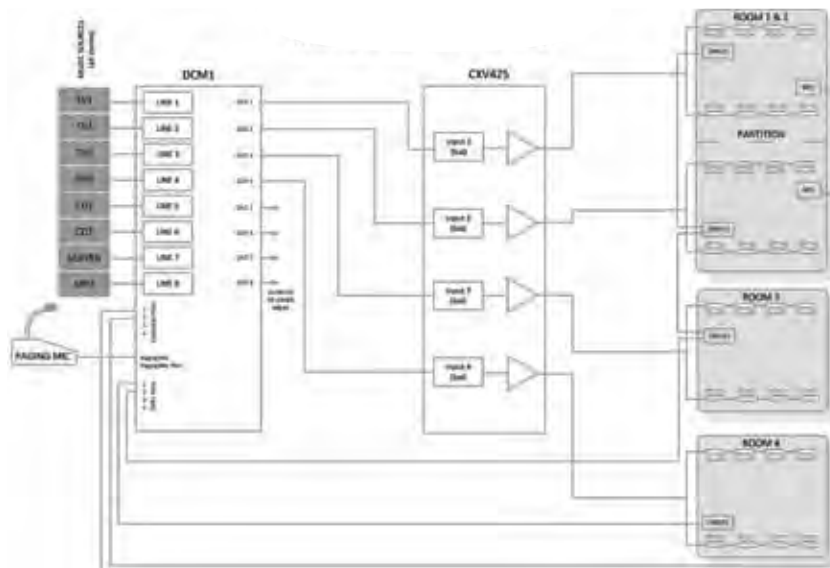


Output Screen



System Screen

Application Diagram



DCM1e : Ethernet Digital Control Zone Mixer



The DCM1e is a new Ethernet version of the popular DCM1 Digital Control Zone Mixer. The addition of an Ethernet port on the rear panel of the new DCM1e allows its in-built Ethernet web-server to be connected via an RJ-45 socket to an independent or existing wireless router. This new feature means the new DCM1e can be configured and controlled remotely by any mobile device or PC connected to the network.

Using the web browser of any mobile End Users have "limited installer defined" controls via simple and intuitive interface pages. Installers have administrator status via "Configuration Options" which are password protected.



General Description

- 8 Stereo Line Inputs (1 Balanced)
- Balanced Line Outputs (2 Stereo + 6 Mono)
- Dedicated RJ-45 Ports for optional Line Inputs (LE-1)
- 4 Dedicated RJ-45 Ports for optional Mic Input Sockets (ME-1)
- Microphone Paging to all or any zone with fully programmable override logic
- Separate analogue paging Microphone Input with analogue contact closure selection
- Configurable remote Controls (CDR-1)
- Configurable Line Priority by Zone
- RS-232 Interface for Crestron/Other Control
- Ethernet Connection Socket and Web Server for PC, Tablet & Mobile Device Control
- Accepts Bose, Amina and Active Audio EQ cards

Mobile Graphics



Menu Screen



Music Screen

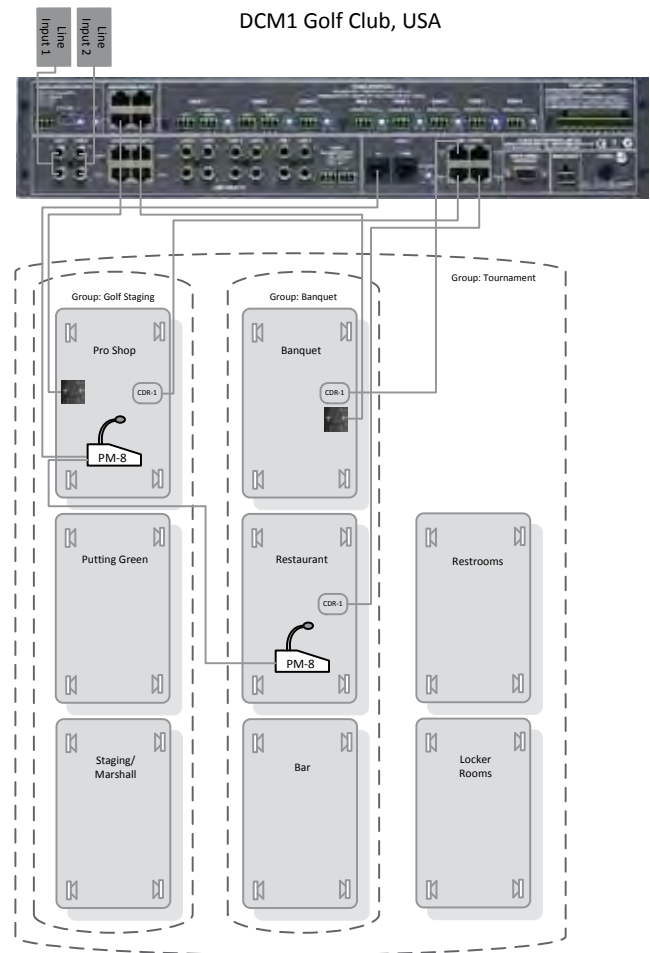


Group Screen



Security Settings Screen

Application Diagram



Accessories

Compatible with DCM-I

CDR-IF
(170mm x 85mm)



CDR-IB
(85mm x 85mm)



CDR-IW
(85mm x 85mm)



Rear and side views

CDR-IF & CDR-I

The CDR-IF & CDR-I are remote control units specifically designed for use with the DCM-I. CDRs may be fitted to standard electrical back boxes in whatever location is convenient in each zone.

Any zone may have one CDR, more than one, or none at all. The DCM-I can support up to 100 CDRs. CDRs are interconnected with just one standard CAT-5 UTP cable; units may be daisy-chained at will and/or connected individually back to the DCM-I's four CDR ports using almost any wiring topology convenient for the installation.



US Version



Media Version
(100mm x 50mm)

LE-I, LE-IA (US Version) & LE-Im (Media Version)

The LE-I is an input connector plate which can be installed wherever required. Versions are available to fit standard UK, US or Australian dual-gang electrical back boxes. It allows connection of a stereo unbalanced line-level audio source, such as a portable music centre, laptop, radio mic receiver or similar, and connects to one of the DCM-I's Extension Ports with a single screened CAT-5 cable.



US Version



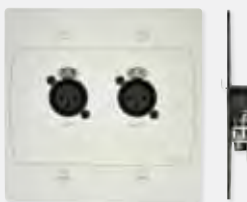
Media Version
(100mm x 50mm)

ME-I, ME-IA (US Version) & ME-Im (Media Version)

The ME-I input connector plate provides two balanced microphone inputs, and is useful in multi-purpose areas where mics are sometimes needed. The ME-I has adjustable mic level and EQ per input, and connects to one of the DCM-I's four dedicated Mic Inputs with a single screened CAT-5 cable. The ME-I's two inputs are mixed together at the plate, and the summed mic signal applied to the DCM-I.



US Version



Media Version
(100mm x 50mm)

BE-I, BE-IA (US Version) & BE-Im (Media Version)

The BE-I is an input connector plate of similar type to the LE-I. It provides a stereo balanced line-level input, permitting professional audio equipment such as mixing consoles, DI boxes or broadcast equipment to be connected. Like the LE-I, it connects to one of the DCM-I's Extension Ports with a single screened CAT-5 cable. BE-I's may be daisy-chained in the same way as LE-I's, and the two types of plate may be intermixed.

Z4MK3 : Four Zone Venue Mixer

6 music inputs, 2 mic inputs plus paging mic, 4 x facility inputs, 4 output zones



General Description

- Four zone mono mixer
- PM paging mic with chime available
- 6 line inputs with preset gain controls
- Line 6 priority, can be selected on a zone by zone basis
- Facility input available on all zones
- Accepts active modules DM-1 and LM-2
- Music level and source selection with remote control RSL-6 (or RL-1 for remote level only) per zone
- 2 mic inputs with volume controls on front panel
- Input for paging mic with priority and zone selection
- Separate EQ for mic and music
- All mics have priority over music
- Optional equaliser modules for Bose®, Amina and Active Audio loudspeakers can be fitted to any output zone

Accessories

(see pages 19/20 for details)



Z8MK3 : Eight Zone Venue Mixer

6 music inputs, 2 mic inputs plus paging mic, 8 x facility inputs, 8 output zones



General Description

- Eight zone venue mixer
- PM paging mic with chime available
- 6 line inputs with preset gain controls
- Line 6 priority, can be selected on a zone by zone basis
- Facility input available on all zones
- Accepts active modules DM-1 and LM-2
- 2 mic inputs with volume controls on front panel
- Music level and source selection with remote control RSL-6 (or RL-1 for remote level only) per zone
- Input for paging mic with priority and zone selection
- Separate EQ for mic and music
- All mics have priority over music
- Optional equaliser modules for Bose®, Amina and Active Audio loudspeakers can be fitted to any output zone

Accessories

(see pages 19/20 for details)



CX163 : 2 Zone Stereo Mixer with Mono Utility Output

6 stereo line inputs, 1 mic input, 2 stereo output zones plus mono utility output



General Description

- Two zone stereo mixer with mono utility output
- Both stereo zones can be configured to run as mono
- Utility output is constant 0dB
- Utility music source selectable via internal jumper
- 6 stereo line inputs
- Line 6 priority over other input sources in zone 1 only
- Remote music mute
- Microphone access contacts for paging to all 3 zones
- 100Hz high pass filter on all microphone inputs
- Two band microphone EQ
- Remote level control in each zone using RL-I
- Front panel controls give microphone level, music source select and volume
- Optional equaliser modules for Bose®, Amina and Active Audio loudspeakers can be fitted to either stereo output

Accessories
(see pages 19/20 for details)



CX261 : MP3 Zone Mixer

6 stereo line inputs, 2 mic input, 1 stereo output zone + music on hold



General Description

- 1 stereo zone
- 6 stereo line inputs
- Line 6 priority over other input sources
- Remote music mute
- Paging microphone access
- Microphone over music priority
- Front MP3 Input socket
- Music on hold output
- Two band microphone EQ
- 100Hz high pass filter on all microphone inputs
- Two band music EQ on the rear panel
- Front panel gives Mic 1 level, Mic 2 level, music level and music source selection controls
- Optional equaliser modules for Bose®, Amina and Active Audio loudspeakers can be fitted to either stereo output

Accessories
(see pages 19/20 for details)



CX263 : 3 Zone Mixer

6 stereo line inputs, 2 mic input, 3 output zones (1 stereo 2 mono)



CDI-S200 digital interface card

Without security cover

General Description

- 1 stereo zone and 2 mono zones
- 6 stereo line inputs
- Line 6 priority over other input sources
- Remote music mute
- Paging microphone access for Mic 1 only
- Microphone over music priority
- Two band microphone EQ behind front panel fascia
- 100Hz high pass filter on all microphone inputs
- Two band music EQ per zone on the rear panel
- Front panel gives Mic 1 level, Mic 2 level, music level and music source selection controls
- Optional equaliser modules for Bose®, Amina and Active Audio loudspeakers can be fitted to any output zone
- Optional CDI-S200 serial interface module using RS232 to control Music & Mic Muting (shown above installed)

Accessories
(see pages 19/20 for details)



CX462 : Audio System Controller

6 music inputs (1 stereo output), 4 mic inputs (1 mono output)



Without security cover

General Description

- Independent music and microphone sections
- 6 line inputs with preset gain controls (music section)
- Line 6 can be configured for priority (music section)
- Music level and source selection with remote control
- HF and LF equalisation (music section)
- Mic signals can be routed to music section
- Individual HF and LF controls (microphone section)
- Single parametric equaliser (microphone section)
- 150 Hz High pass filter
- Selectable priority for Mic 1
- Optional CDI-S100 serial interface module using RS232 to control Music & Mic Muting (shown above installed)
- Optional equaliser modules for Bose®, Amina and Active Audio loudspeakers can be fitted to any output zone

Accessories

(see pages 19/20 for details)



CX335 : Stereo Compressor Limiter

The Cloud CX-335 stereo compressor-limiter is designed for system control and protection. When utilised as part of a full range system its ease of installation and setup coupled with the audio transparent operation make it the ideal choice.



General Description

- Very easy to install and setup
- Transparent in operation
- Frequency dependent automatic attack and release circuits
- Adjustable threshold and compression ratio
- Peak Limiter settings with led indicator
- Envelope option of normal or slow
- Soft knee or hard knee selection
- Display for output level and gain reduction
- Possibility for external VCA attenuator
- Anti-tamper cover with one time lock seal

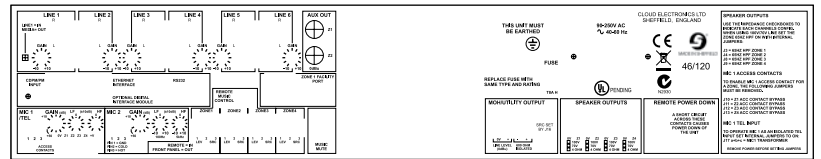
Accessories

(see pages 19/20 for details)



46-120 : Four Zone Integrated Mixer Amplifier

6 music inputs, 2 mic inputs (1 paging), 1 facility input plus 1 aux. output, 4x 120W amplifiers

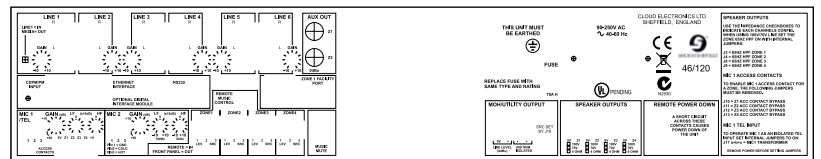


General Description

- 4-Zone Mixer Amplifier
- 4 x 120W Output per zone (4Ohm)
- Optional 120W 70/100W Internal Transformer
- Optional Digital Paging/RS-232/Ethernet Card (CDI-46)
- 6 Stereo Line-Inputs
- 2 Microphone Inputs with priority option
- Music on Hold / Utility Output
- Remote Music Level and Source Selection via RSL-6 / RSL-6A
- Facility Input via RJ-45 for LM-2 on Zone 1
- Amplifier Link Feature
- Optional Paging Microphone with Chime Available
- Optional EQ Module for Bose, Amina & Active Audio Loudspeakers
- Remote Music Mute Function for Fire Alarm Interface

46-120 Media : Four Zone Integrated Mixer Amplifier

6 music inputs, 2 mic inputs (1 paging), 1 facility input plus 1 aux. output, 4x 120W amplifiers



General Description

- 4-Zone Mixer Amplifier
- 4 x 120W Output per zone (4Ohm)
- MP3/SD/USB Media Player
- Optional 120W 70/100V Internal Transformer
- Optional Digital Paging/RS-232/Ethernet Card (CDI-46)
- 6 Stereo Line Inputs
- 2 Microphone Inputs
- Music on Hold / Utility Output
- Remote Music Level and Source Selection via RSL-6 / RSL-6A
- Facility Input via RJ-45 for LM-2 on Zone 1
- Amplifier Link Feature
- Optional Paging Microphone with Chime Available
- Optional EQ Module for Bose, Amina & Active Audio Loudspeakers
- Remote Music Mute Function for Fire Alarm Interface

Accessories

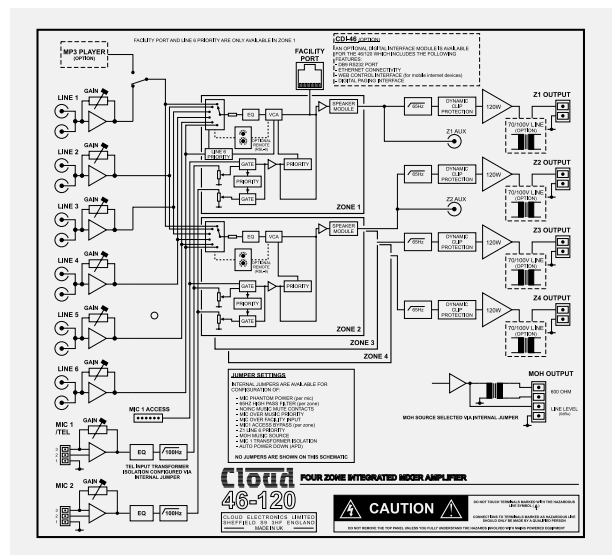
CDI-46
Optional, internally fitted card offering Digital PM paging interface, RS232 & Ethernet Control.

CXL-46T
Optional, internally fitted 70.7v/100v, 120w High impedance output toroidal transformer. Up to 4 per unit but can be mixed with LowZ Output.

LM-2
Optional, active input plates for Mic or Line level input on Zone 1 only. Allows the user to access the house system within Zone 1.

RSL-6
Remote music source select & level control compatible with Z411, Z811, CX261, CX263, 46/50, 36/50, MPA Series.

Application Diagram



46-50 : Four Zone Integrated Mixer Amplifier

6 music inputs, 2 mic inputs (1 paging), 1 facility input plus 1 aux. output, 4x 50W amplifiers



Without security cover

Accessories

(see pages 19/20 for details)



General Description

- Four zone mixer/amplifier
- 4 x 50W with dynamic clip limiters on every zone
- Mic 1 priority over Mic 2
- Line 6 input priority (zone 1 only) with adjustable release time
- 6 line inputs, 2 mic inputs with voice operated priority over the mic
- Music level and source selection with remote control RSL-6 (or RL-1: level only)
- Facility input (zone 1 only) for active modules DM-1/LM-1
- Amplifier link feature when used on 2-zone or 3-zone systems
- Dedicated CDPM paging mic with chime available
- Optional equaliser modules for Bose®, Amina and Active Audio loudspeakers can be fitted to any output zone
- 2 x Aux outputs
- Optional 4 x 40W 100V or 70V internal module (CXL-4160)
- Remote music for Fire Alarm interface
- Installer settings behind anti-tamper panel
- Forced cooling by vari-speed fan

36-50 : Integrated Two Zone Plus Utility Mixer Amplifier

6 music inputs, 1 mic or paging mic input, 3 x 50W (1 utility) amplifiers



Accessories

(see pages 19/20 for details)



General Description

- Two zone mixer/amplifier with utility output
- 6 line inputs, 1 mic input with paging options for zone 1, zone 2 and utility output
- Music level and source selection with remote control RSL-6
- 3 x 50W for zone 1, zone 2 and utility output with dynamic clip limiters on every amplifier
- 50W utility amplifier can provide zone 1 with 100W
- Optional 3 x 40W 100V or 70V internal module (CXL-3120)
- Separate EQ for music and mic signals
- Optional equaliser modules for Bose®, Amina and Active Audio loudspeakers can be fitted to any output zone (with adaptor)

VTX4120, VTX4240 & VTX4400 4 Channel Amplifiers

4 Channel power amplifiers, in 4 x 120W,
4 x 240W & 4 x 400W (Optional web monitoring card)



Shown with web monitor card fitted

General Description

- High power multichannel amplifiers for "install-and-forget" application
- 4x120W (VTX-4120), 4x240W (VTX-4240) and 4x400W (VTX-4400) into 4 ohms
- Extensive protection against short-circuit and reactive loads, clipping, DC and overheating
- Channels 1 & 2 and/or 3 & 4 may be operated in Bridge Mode
- Per-channel, front-panel LEDs for power status, signal presence, peak level and protection
- Balanced line level inputs with gain trim
- Configurable for 4 channel, dual stereo or mono use
- Per-channel switched hi-pass filter (18 dB/oct below 65 Hz)
- Optional VTX-WMI card allows amplifier monitoring from any standard web browser
- Optional remote volume control (per channel)
- Optional equaliser modules for Bose®, Amina and Active Audio loudspeakers can be fitted to any output
- 2U 19" rackmounting unit
- Forced-air cooling
- Five year warranty

Accessories

(see pages 19/20 for details)



VTX-WMI Ethernet Web Monitor Card

Optional web monitor card for VTX amplifier range



The VTX-WMI web monitor card is a retrofittable option for Cloud's new VTX power amplifiers. The VTX-WMI has a standard Ethernet interface and connects to the building's existing IT network. It allows the amplifier's performance and settings to be monitored at a remote location using any computer (or PDA, smartphone, etc.), via its normal Internet browser application. No dedicated software application or hardware is necessary.

As well as checking the integrity of the amplifier, the VTX-WMI generates a test signal for the load impedance test, at one or more user-definable frequencies. The system can also be configured to generate an email report (optionally formatted for SMS text forwarding) if the VTX detects a fault condition. (Assumes the necessary Internet connection and email account are established.)

- Simplest and most cost effective amplifier surveillance available
- Optional Ethernet interface for Cloud VTX power amplifiers, allows remote monitoring of amplifier status from any computer, anywhere
- Operates with any web browser – no dedicated software necessary
- Uses standard network protocols, not Audio over Ethernet; can be used on an existing IT infrastructure
- Simple and intuitive user interface
- Easy to set up
- Monitors internal temperature, signal level, PSU status, protection circuitry and remote volume levels
- Confirms all user definable control settings
- Checks load impedance on demand, or at scheduled times, using user-defined frequency
- Real-time clock for event logging
- User-definable polling interval
- Automatic email or SMS text alert on pre-defined fault condition
- Battery back up for (blackbox style) messaging should the amplifier power down



WM-I web interface homepage showing a summary of the information from each unit available to the site host.



Current known status of a specific unit on the site.



Configuration page for a specific unit which allows access to network and timing information.



Scheduling page for impedance/load testing on channels of a unit. Audio throughput is interrupted for the duration of the test.



Configuration page for the overall site information.

CXV225

100V Line Amplifier : 2 x 250W @ 40 Ohms, 100V line amplifier



70V Line Amplifier : 2 x 250W @ 40 Ohms, 70V line amplifier



General Description

- 2 x 250W
- Transformer-less topology
- VCA option
- Vari-speed fan
- Clip, signal present and protect LEDs
- Input routing switch
- Variable high-pass filter (20Hz - 200Hz)
- Clip limiter
- Switch on delay
- Thermal protection
- DC offset protection
- Optional equaliser modules for Bose®, Amina and Active Audio loudspeakers can be fitted to any output

Accessories
(see pages 19/20 for details)



CXV425

100V Line Amplifier : 4 x 250W @ 40 Ohms, 100V line amplifier



70V Line Amplifier : 4 x 250W @ 40 Ohms, 70V line amplifier



General Description

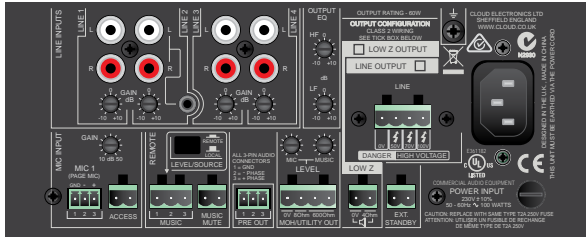
- 4 x 250W
- Transformer-less topology
- VCA option
- Vari-speed fan
- Clip, signal present and protect LEDs
- Input routing switch
- Variable high-pass filter (20Hz - 200Hz)
- Clip limiter
- Switch on delay
- Thermal protection
- DC offset protection
- Optional equaliser modules for Bose®, Amina and Active Audio loudspeakers can be fitted to any output

Accessories
(see pages 19/20 for details)



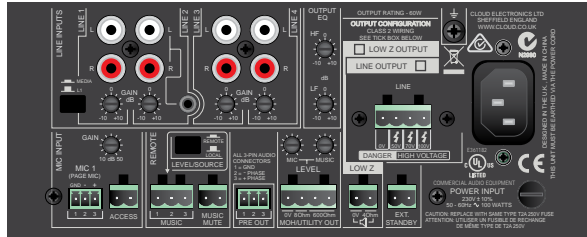
MA60

4 music, 1 mic input, 60W @ 4 Ohms or 100V/70V/50V line output transformer (option)



MA60 Media

4 music, 1 mic input, 60W @ 4 Ohms or 100V/70V/50V line output transformer (option)



General Description

- Four-input mixer-amplifier with integral 60W mono power amplifier
- 100V/70V/50V line output transformer (option – CXL-50T)
- Built-in digital music player supports MP3 and WMA files at all standard data rates/sample frequencies (MA-60 Media only)
- Gain trims on all inputs
- Electronically-balanced mic input
- Front panel control of music source/level and mic level
- 3.5mm jack input (LINE 2) for MP3 player, laptop, etc.
- Overall HF & LF EQ adjustment
- Short-to-ground access connector or VOX-triggered paging on mic input
- Selectable LINE 4 priority over other music inputs
- Optional equaliser modules for Bose®, Amina and Active Audio
- Music Mute control input (NO or NC) for interface to emergency system

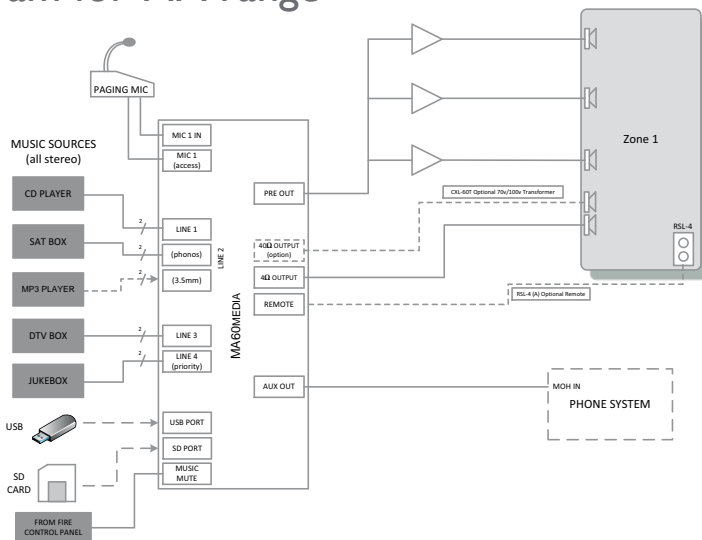
- Compatible with standard Cloud remote control panels – RL-1 (music level) and RSL-4 (music level and source selection)
- Electronically-balanced pre-amp output
- Transformer-isolated auxiliary output with independent mic and music level control – for use with telephone MOH systems
- Aux output source selection (internal jumper) – fixed source or follow main output
- 19" rack mounting kit option for 1 x MA-60 (RE-L)
- 19" rack mounting kit option for 2 x MA-60 (RE-L)

Accessories

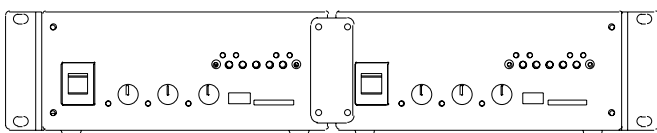
(see pages 19/20 for details)



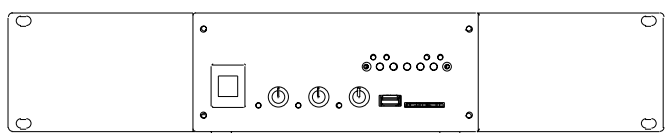
Application Diagram for MA range



Rack Kit Option for MA range



19" rack mounting kit option for 2 x MA-60 (RE-S)



19" rack mounting kit option for 1 x MA-60 (RE-L)

MPA60 : General Purpose Mixer Amplifier

6 music inputs, 4 mic inputs, 60W RMS output into 4 Ohms or 25/70/100V



MPA120 : General Purpose Mixer Amplifier

6 music inputs, 4 mic inputs, 120W RMS output into 4 Ohms or 25/70/100V



MPA240 : General Purpose Mixer Amplifier

6 music inputs, 4 mic inputs, 240W RMS output into 4 Ohms or 25/70/100V



Rear View of MPA series.

General Description

- 6 line inputs, stereo inputs summed to mono
- Line inputs via RCA phono's with input gain controls adjacent to connectors
- Source select via front panel rotary selector or remotely via RSL-6
- Line input level via front panel control or remotely via RL-1 or RSL-6
- Line 6 priority selectable by internal jumper; release time 3s/6s/12s selectable by internal jumper
- Music EQ by tamperproof LF & HF presets on rear panel.
- 4 Microphone inputs, low impedance balanced via phoenix style connectors
- Microphone EQ by tamperproof LF & HF presets on rear panel
- 100Hz HP dedicated filter on Microphone inputs
- Phantom power selected by internal jumper for each microphone
- Limiter dedicated to microphone inputs
- Mic 1 has access triggered priority over Mics 2 – 4
- All mics have VOX priority over music signals, providing 30dB of attenuation (on/off by jumper)
- Integrated chime triggered by access control of Mic 1 (on/off by jumper and level by internal preset)
- Optional equaliser modules for Bose®, Amina and Active Audio loudspeakers can be fitted
- Remote Music Mute configurable for NO or NC operation
- Overall "Peak Limiter" with LED indication on front panel

Accessories

(see pages 19/20 for details)



Amplifier features:

- 63Hz HP Filter for 25/70/100V operation
- Variable speed fan cooling
- Switch on delay
- DC protection
- IV Limiting
- 2U Rack chassis fitted with removable rack ears



CXA6 : Multi Channel Amplifier

6 channel power amplifier, 120W per channel (100V line external option)



General Description

- Six channel, 6 x 120W
- Connection for one of three optional modules
- VCA-2 2 channel remote level control
- Optional equaliser modules for Bose®, Amina and Active Audio loudspeakers can be fitted to any channel (with adaptor)
- Optional external 100W 70V/100V line transformer module available (with RL-1)
- CXL-800 is a 2U rack-mounted housing for 8 x CXL-100T
- Input routing options simplify terminations when some channels share a signal
- Comprehensive protection circuitry
- LED indicators for signal, clip and protect
- Forced cooling by 2 speed DC fan

Accessories

(see pages 19/20 for details)



CXA450 : Multi Channel Amplifier

4 channel power amplifier, 50W per channel (100V line internal option)



General Description

- Four channel, 4 x 50W
- Optional modules for remote level control of any channel, VCA-5
- Optional equaliser modules for Bose®, Amina and Active Audio loudspeakers can be fitted to any channel
- Optional is a 4 x 40W 70V/100V internal module (CXL-4160)
- Optional external 40W 70V/100V line transformer module available (CXL-40T)
- CXL-800 is a 2U rack-mounted housing for up to 8 x CXL-40T
- Input routing operations simplify terminations when some channels share a signal
- Comprehensive protection circuitry including dynamic clip protection
- LED indicators for signal, clip and protect
- Forced cooling vari-speed DC fan

Accessories

(see pages 19/20 for details)



CXA850 : Multi Channel Amplifier

8 channel power amplifier, 50W per channel (100V line external option)



General Description

- Eight channel, 8 x 50W
- Optional modules for remote level control of any channel, VCA-5
- Optional equaliser modules for Bose®, Amina and Active Audio loudspeakers can be fitted to any channel
- Optional external 40W 70V/100V line transformer module available (CXL-40T)
- CXL-800 is a 2U rack-mounted housing for up to 8 x CXL-40T
- Input routing options simplify terminations when some channels share a signal
- Comprehensive protection circuitry including dynamic clip protection
- LED indicators for signal, clip and protect
- Forced cooling vari-speed DC fan

Accessories

(see pages 19/20 for details)



CASI6 & CAMI6 : Headphone Distribution Systems

The CAMI6 is a headphone-level distribution processor primarily designed to provide headphone monitoring of up to eight stereo sound sources plus a single mic or line paging source. The CAMI6 has eight stereo line inputs and a balanced "global" priority input.

The CAMI6 provides individual choice at the users fingertips. Whether multi-language in a lecture theatre or classroom, museum exhibits, multi-screen TV monitoring, CV exercise, adding a tan or

patiently waiting in a surgery, the CAMI6 is designed to provide multiple users selectable source and volume with a Page All option.

When combined with CASI6 the system has a total capacity of 256 outputs.

The CASI6 is a Sub Station for the CAMI6 distribution system. The CASI6 increases the capacity of the CAMI6 by up to sixteen RH-8 or WP-8 remote control units or independent active speakers.



CASI6



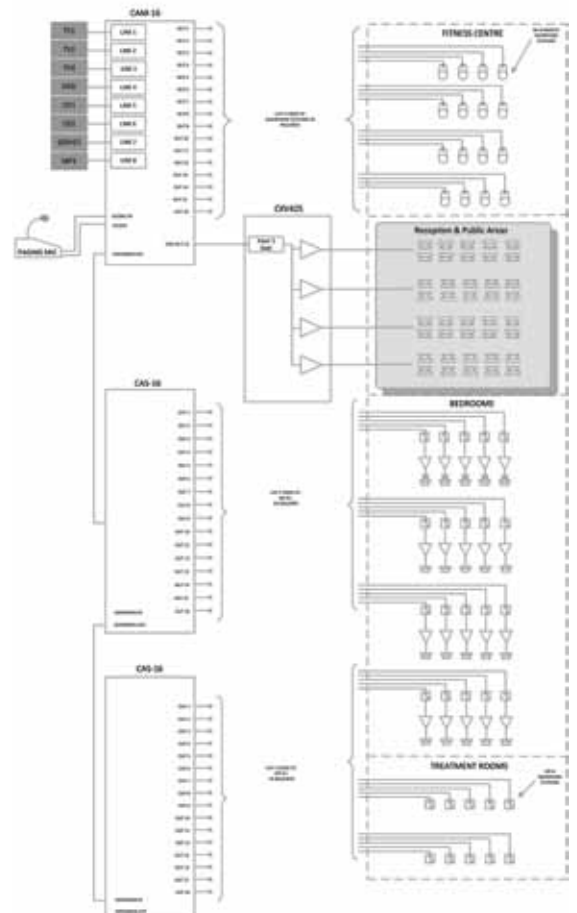
CAMI6



General Description

- 8 stereo line inputs
- Global input for microphone with priority
- RJ45 connection for 16 x RH-8/RH-8C or WP-8 Control Panels
- Expansion unit for connection of 16 x RH-8/RH-8c or WP-8 Control Panels
- Up to fifteen SS-16s can be added to provide a total system capacity of 256 users
- A total of 16 remotely located RH-8 or WP-8 remote control units can be wired to the CAMI6 for headphone level output, rotary source selection and volume control. The WP-8 however is a dedicated wall-mounting version of the RH-8 with the provision to connect to Active Speakers.

Application Diagram



Accessories



RH-8C

The RH-8C is a remote headphone station that connects to either the CAMI6 or CASI6 Audio Distribution System; used in addition to a pair of personal headphones; mainly used with CV Machine.



US Version

WP-8 & WP-8A (US Version)

The WP-8 is a Wall Mounted remote headphone station that connects to either a CAMI6 or CASI6 Audio Distribution System. It also provides outputs for a pair of Active Loudspeakers.

PM & PM-SA Series : Paging Microphones

A

The **PM range** of microphones can be used for paging with several Cloud Products and can be integrated with any 3rd party systems that require 'short to ground' for paging access. With four multi-zone models in the range, PM-4, 8, 12, 16 and the ability to link 32 PM's together, designers can provide large, complex and flexible multi-zone paging systems.

When designing a multi-microphone paging system any combination of mics can be used to create a system and all but the first in the system will require a local PSU.



PM Series

PM-1



PM-4



PM-8



PM-12



PM-16



Features PM-1

- PM-1 entry level, single-zone paging microphone
- High quality 300mm Dynamic Mic
- Integral PTT (PressToTalk) switch
- Internal cable connections with cable retention strap

Features PM-4, 8, 12 & 16

- Simple CAT5, mic to mic cabling
- "Paging Group" key assignment
- Selected zone, group or "Call all" paging
- First come first served priority
- "Busy" indicator to show system in use
- Any mic can be configured with ultimate priority
- High quality cardioid capsule
- Integral compressor
- A choice of four chimes
- Internal sounder
- Factory 're-set' (by jumper)

PM-SA Series

PM4-SA



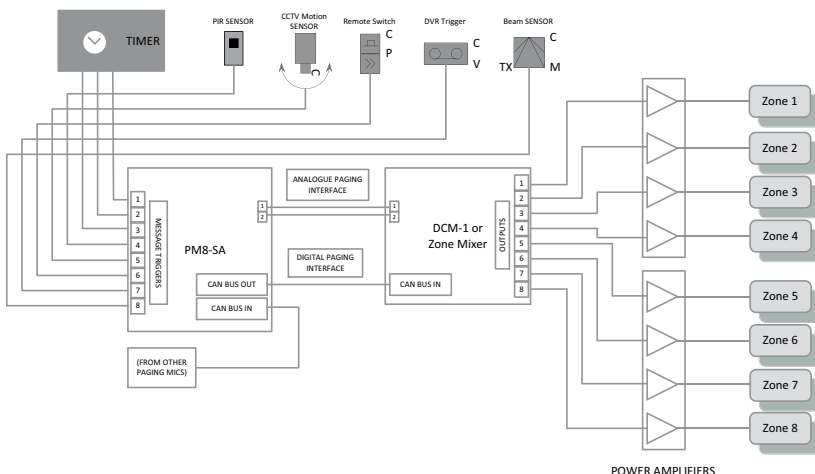
PM8-SA



Features PM4-SA, PM8-SA

- Individual and Multiple Zone Selection by Mic or Message
- Remote Message Trigger Contacts (NO/NC Contacts) for PIRs, Timer, DVR/Cameras
- User Definable .WAV & .MP3 Recordable Message - any length
- Definable Zone Groups with Group Selection
- Pre-Announcement Chime (recordable on SD Card)
- TALK & CALL ALL Buttons
- BUSY LED
- Configurable 2-Layer Announcement Priority
- Auto Zone Reset after Announcement
- Zone Disable Function

Application Diagram for PM-SA Series



All multizone paging mics can be wall mounted with optional 140mm gooseneck mic (part No. - MII00166)






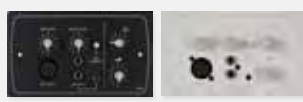
Shown without wind shield

Accessories Index

AE-1A, DM-1, LM-1 : Active Modules

Active Modules

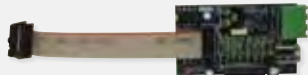




Several Cloud products have a facility port, which is intended to extend the capabilities of the unit by allowing the connection of a remotely located active module. The combination of products such as the Z8II/Z4II and the active modules allow designers to provide simple, cost effective solutions to many customers requirements that are difficult to achieve with other manufacturers units.

<p>B</p>  <p>Available in the US only</p>	<p>C</p>  <p>US Version</p>	<p>D</p>  <p>US Version</p>	<p>E</p> 
<p>AE-1A;</p> <ul style="list-style-type: none"> • Optimised for Aerobic studio applications • Inputs for microphone and stereo music source • Individual control of mic and music level • Mic signals can duck music source • Facility to mute system music source. 	<p>DM-1 & DM-1A (US Version);</p> <ul style="list-style-type: none"> • Two balanced mic inputs • Individual level control of each mic • Common tamperproof HF & LH controls • Can be used in multiples when wired in daisy chain format. 	<p>LM-1 & LM-1A (US Version);</p> <ul style="list-style-type: none"> • Inputs for balanced mic and stereo line • Individual level controls for mic and music • Mic can override music • Remote control of mixer's music source and level. 	<p>LM-2, LM-2A & LM-2D;</p> <ul style="list-style-type: none"> • Inputs for balanced mic (XLR) and stereo line • Level controls for mic and music • Microphone over music and link extension • Remote control of mixer's music source and level.

Wall Remote Controls

<p>F FM</p>  <p>US Version Media Version (50mm x 50mm)</p>	<p>G GM</p>  <p>US Version Media Version (50mm x 50mm)</p>	<p>H HM</p>  <p>US Version Media Version (50mm x 50mm)</p>
<p>RL-1, RL-1A (US Version) & RL-1m (Media Version)</p> <p>Remote music level control compatible with Z4II, Z8II, CX263, CX163, 46/50, 36/50, MPA Series, CXV-225 and CXV-425.</p>	<p>RSL-6, RSL-6A (US Version) & RSL-6m (Media Version)</p> <p>Remote music source select & level control compatible with Z4II, Z8II, CX261, CX263, 46/50, 36/50, MPA Series.</p>	<p>RSL-4, RSL-4A (US Version) & RSL-4m (Media Version)</p> <p>Remote music source select & level control compatible with MA60 and MA60 Media.</p>
<p>I</p>  <p>XLR-FI</p> <p>Female XLR connector mounted on a plate similar to RL-1, RSL-6.</p>	<p>J</p>  <p>XLR-MI</p> <p>Male XLR connector mounted on a plate similar to RL-1, RSL-6.</p>	

General Accessories

<p>K</p>  <p>VCA-2 Two channel VCA card for remote level control of CX-A6 amplifiers. Requires 1 or 2 RL-1's.</p>	<p>L</p>  <p>VCA-5 Single channel VCA card for remote level control of CX-450, CX-A850, CXV-225, CXV-42. Requires 1 RL-1.</p>	<p>M</p>  <p>RE-S Rack mounting housing kit designed to accept 2 x MA60 Mixer amps.</p>	<p>N</p>  <p>RE-L Rack mounting housing kit designed to accept 1 x MA60 Mixer amp.</p>
<p>O</p>  <p>PS-UK / PS-EU / PS-NA External power supply.</p>	<p>P</p>  <p>EQ Cards for Amina speakers: EQ-AWX, EQ-LFT.</p>	<p>Q</p>  <p>Bose® loudspeaker EQ modules: 402II, 502A, 502B, 502BEX, 802III, LT3202II, LT4202II, 9402II, 9702II, LT MB24, FSII DS100, FSII DS16, M32/25, M8, MA12, MA12S, MA12ST, MB4. Adaptor required for 36/50 & CX-A6.</p>	

High-Impedance Transformers

<p>R</p>  <p>CXL-800 Rack mounting housing designed to accept up to eight toroidal transformers.</p>	<p>S</p>  <p>CXL-1600 Rack mounting housing designed to accept up to 8 x CXL-40T or 8 x CXL-100T or 4 x CXL-200T or 4 x CXL-400T toroidal transformers.</p>	<p>T</p>  <p>CXL-4160 4 x 40W 100V or 70V transformer module for internal use in 46/50 & CX-A450.</p>	<p>U</p>  <p>CXL-3120 3 x 40W 100V or 70V transformer module for internal use in 36/50.</p>	
<p>V</p>  <p>CXL-40T 40W 100/70 volt toroidal transformer, compatible with 46/50, 36/50, CXA450 & CXA850.</p>	<p>W</p>  <p>CXL-50T 50W 100V/70V/50V toroidal transformer, compatible with MA60 & MA60 Media.</p>	<p>X</p>  <p>CXL-100T 100W 100/70V toroidal transformer, compatible with CXA6.</p>	<p>Y</p>  <p>CXL-200T 200W 100/70V toroidal transformer, compatible with VTX4240.</p>	<p>Z</p>  <p>CXL-400T 400W 100/70V toroidal transformer, compatible with VTX4400.</p>

Product Matrix

	Wattage @ Low Impedance Mono/Stereo	Wattage @ 100V Line	External 100V Line Transformers	Internal 100V Line Transformers	Zones Stereo	Zones Mono	Channels	Line Inputs	Mic Inputs	SD/USB Input	MP3 Jack Input	Paging Mic/PM	CDRI (F)/LEI/MEI/BEI	RSL-A	DMI/LMI	RSL-A	EQ Module	Speaker EQ Modules	VCA-2/5 Module	RS232 Adaptor	Music on Hold	Music Mute	Line 6 Priority				
DCM-I	✓	x	x	M/S	x	x	x	2	6	x	8	4 ²	x	x	✓	x	x	x	✓	x	✓	x	✓	✓			
DCM-Ie																											
Z4MK3	✓	x	x	M	x	x	x	x	4	x	6	2	x	x	✓	✓	x	✓	x	x	✓	x	x	✓	✓		
Z8MK3	✓	x	x	M	x	x	x	x	8	x	6	2	x	x	✓	✓	x	✓	x	x	✓	x	x	✓	✓		
CX163	✓	x	x	M/S	x	x	x	2	1	x	6	1	x	x	x	✓	x	x	x	x	✓	x	x	✓	✓		
CX261	✓	x	x	M/S	x	x	x	1	0	x	6	2	x	✓	x	✓	x	x	x	x	✓	x	x	✓	✓		
CX263	✓	x	x	M/S	x	x	x	1	2	x	6	2	x	x	x	✓	x	x	x	x	✓	x	CDIS200	x	✓	✓	
CX335	✓	x	x	S	x	x	x	1	x	x	x	x	x	x	x	x	x	x	x	x	x	x	x	x	✓	x	
CX462	✓	x	x	S	x	x	x	1	1	x	6	4	x	x	x	✓	x	x	x	x	✓	x	CDIS100	x	✓	✓	
46-120																											
46-120 Media																											
46-50	x	x	✓	M	50	40	CXL4160	CXL40T	x	4	4	6	2	x	x	✓	✓	x	✓	x	x	✓	x	x	✓	✓	
36-50	x	x	✓	M	50	40	CXL3120	CXL40T	x	2	2 ¹	6	1	x	x	✓	✓	x	x	x	✓	✓	x	x	✓	✓	
VTX4120	x	✓	x	M	120	100	x	CXL100T	x	x	4	4	x	x	x	x	✓	x	x	x	✓	x	x	x	x	x	
VTX4240	x	✓	x	M	240	x	x	CXL200T	x	x	4	4	x	x	x	x	✓	x	x	x	✓	x	x	x	x	x	
VTX4400	x	✓	x	M	400	x	x	CXL400T	x	x	4	4	x	x	x	x	✓	x	x	x	✓	x	x	x	x	x	
CXV225	x	✓	x	M	x	250	N/A	N/A	x	x	2	2	x	x	x	x	✓	x	x	x	5	✓	x	x	x	x	
CXV425	x	✓	x	M	x	250	N/A	N/A	x	x	4	4	x	x	x	x	✓	x	x	x	5	✓	x	x	x	x	
MA60	x	x	✓	M	60	60	CXL-60T	x	x	1	1	4	1	x	✓	✓	✓	✓	✓	x	x	x	✓	x	x	✓	✓
MA60 Media	x	x	✓	M	60	60	CXL-60T	x	x	1	1	4	1	✓	✓	✓	✓	✓	✓	x	x	x	✓	x	x	✓	✓
MPA60	x	x	✓	M	60	60	x	x	x	1	1	6	4	x	x	✓	✓	x	x	x	✓	x	x	x	✓	✓	
MPA120	x	x	✓	M	120	120	x	x	x	1	1	6	4	x	x	✓	✓	x	x	x	✓	x	x	x	✓	✓	
MPA240	x	x	✓	M	240	240	x	x	x	1	1	6	4	x	x	✓	✓	x	x	x	✓	x	x	x	✓	✓	
CXA6	x	✓	x	M	120	100	x	CXL100T	x	x	6	6	x	x	x	x	✓	x	x	x	2	✓	✓	x	x	x	
CXA450	x	✓	x	M	50	40	CXL4160	CXL40T	x	x	4	4	x	x	x	x	✓	x	x	x	5	✓	x	x	x	x	
CXA850	x	✓	x	M	50	40	x	CXL40T	x	x	8	8	x	x	x	x	✓	x	x	x	5	✓	x	x	x	x	
CAS16	Headphone Distribution	S	x	x	x	x	x	16	x	x	x	x	x	x	x	x	x	x	x	x	x	x	x	x	x	x	
CAM16	Headphone Distribution	S	x	x	x	x	x	16	x	x	8	1	x	x	x	x	x	x	x	x	x	x	x	x	✓	✓	

Notes ¹ Utility amplifier for fixed level output for toilets, foyer etc.
² Microphone inputs via MEI, Active Input Plate.

Contact Us

Customer Service:
sales@cloud.co.uk

Technical Support:
technical@cloud.co.uk


Distribution / Logistics:
info@cloud.co.uk



Connect With Us

 Search 'Cloud Electronics Limited' on Facebook

 Find us on Twitter
www.twitter.com/CloudElectronic

 Search 'Cloud Electronics Limited' on Linked In

How To Find Us

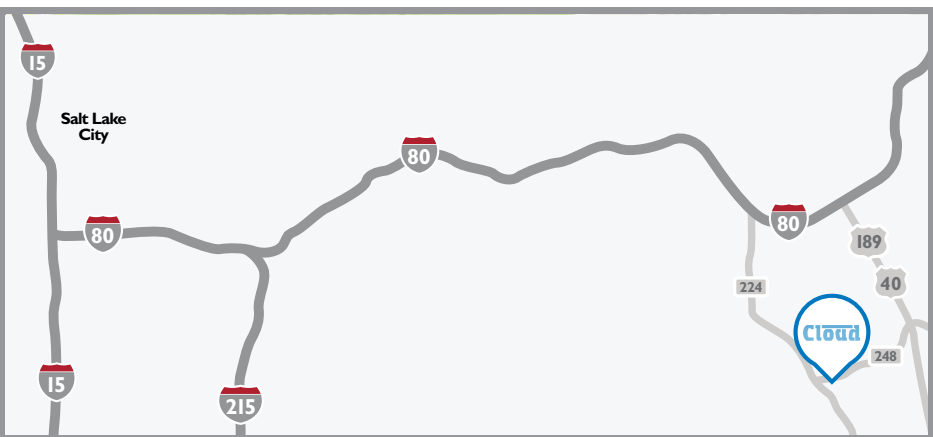
United Kingdom

Cloud Electronics Limited
140 Staniforth Road,
Sheffield,
S9 3HF,
England
T: +44 (0)114 244 7051
F: +44 (0)114 242 5462
www.cloud.co.uk
E-mail: info@cloud.co.uk



United States

Cloud Electronics Limited
2065 Sidewinder Drive,
Suite 200,
Park City,
Utah 84060,
United States of America
Office: +1 (435) 6493254
Toll Free: 855 810 0161
Mobile: +1 (435) 6402474
www.cloud.co.uk/US
Email: sales@cloudusa.pro



Website Resources

Cable Connectors www.cloud.co.uk/connectors
Wareparts www.cloud.co.uk/wareparts
FAQs www.cloud.co.uk/faqs
Product Matrix www.cloud.co.uk/productmatrix

Datasheets www.cloud.co.uk/datasheets
Instruction Manuals www.cloud.co.uk/manuals
Technical Notes www.cloud.co.uk/tech



United Kingdom

Cloud Electronics Limited

140 Staniforth Road,
Sheffield,
S9 3HF, England

Telephone: +44 (0)114 244 7051

Fax: +44 (0)114 242 5462

www.cloud.co.uk

E-mail: info@cloud.co.uk

United States

Cloud Electronics Limited

2065 Sidewinder Drive,
Suite 200, Park City,
Utah 84060, United States of America

Office: +1 (435) 6493254

Toll Free: 855 810 0161

Mobile: +1 (435) 6402474

www.cloud.co.uk/US

E-mail: sales@cloudusa.pro

*Bose® is a registered trade mark of the Bose Corporation.

In the interests of continuing improvements Cloud Electronics Limited reserves the right to alter specifications without prior notice. E&O.E.
Manufactured in England.