

# CONTRACTOR SERIES

## 2-WAY WALL LOUDSPEAKERS

LDCWMS42W / LDCWMS42B / LDCWMS42W100V / LDCWMS42B100V /  
LDCWMS52W / LDCWMS52B / LDCWMS52W100V / LDCWMS52B100V



The LD Systems CWMS 42 and CWMS 52 are elegant wall speakers with 2-way technology that feature a frequency response up to 20 kHz and high speech intelligibility.

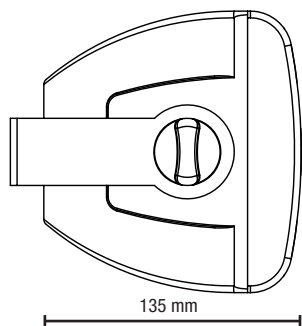
The speakers are designed for a wide scope of applications, providing a discreet sound in hotels, restaurants, bars, lounges, training and conference rooms, shopping centres and at home.

The LD Systems LD CWMS 42 and CWMS 52 are offered in white and black versions (LDCWMS42W, LDWMS52W, LDCWMS42B, LDCWMS52B).

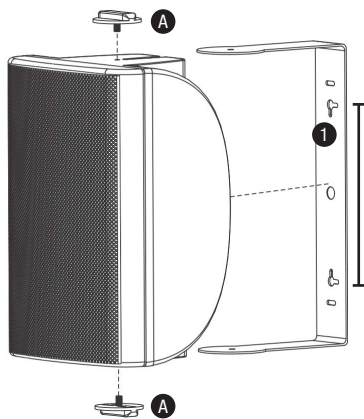
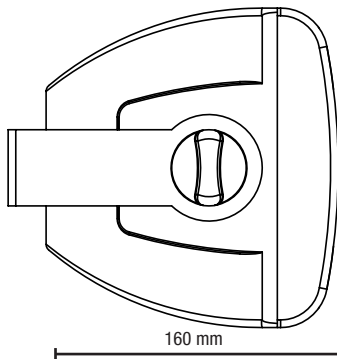
For ELA systems, all models are also available as 100 Volt versions (LDCWMS42W100V, LDCWMS42B100V, LDCWMS52W100V, LDCWMS52B100V) with 5 connection values (1.25 W / 2.5 W / 5 W / 10 W and 8 Ohm, or 2.5 W / 5 W / 10 W / 20 W and 8 Ohm).

**CONNECTIONS, CONTROLS, DIMENSIONS AND MOUNTING / ANSCHLÜSSE, BEDIENELEMENTE, ABMESSUNGEN UND MONTAGE / CONNECTEURS, CONTRÔLES, DIMENSIONS ET MONTAGE / CONEXIONES, CONTROLES, DIMENSIONES E INSTALACIÓN / PRZYŁĄCZA, ELEMENTY OBSŁUGI, WYMIARY I MONTAŻ / CONNESSIONI, ELEMENTI DI COMANDO, INGOMBRI E MONTAGGIO**

**LDCWMS42B / W (8 OHM / 100V)**



**LDCWMS52B / W (8 OHM / 100V)**



- EN** Distance between holes in the wall bracket (hole centre to hole centre)
- DE** Lochabstand in der Wandhalterung (Lochmitte - Lochmitte)
- FR** Distance entre les trous percés sur la fixation murale (milieu à milieu)
- ES** Distancia entre orificios del soporte de pared (de centro a centro)
- PL** Odległość między otworami w uchwycie ściennym (środek otworu – środek otworu)
- IT** Distanza dei fori nel supporto a parete (da centro foro a centro foro)

LDCWMS42: 146 mm

LDCWMS52: 169 mm

# SPECIFICATIONS / TECHNISCHE DATEN / CARACTÉRISTIQUES TECHNIQUES / CARACTERÍSTICAS TÉCNICAS / PRZYŁĄCZA, WYMIARY I MONTAŻ / DATI TECNICI

EN

Model Name:	LDCWMS42W LDCWMS42B	LDCWMS42W100V LDCWMS42B100V	LDCWMS52W LDCWMS52B	LDCWMS52W100V LDCWMS52B100V
Product Type:	installation speakers	installation speakers	installation speakers	installation speakers
Type:	passive	passive	passive	passive
Version:	wall speaker	wall speaker	wall speaker	wall speaker
Speaker Type:	2-way speaker	2-way speaker	2-way speaker	2-way speaker
Colour:	white (LDCWMS42W) black (LDCWMS42B)	white (LDCWMS42W100V) black (LDCWMS42B100V)	white (LDCWMS52W) black (LDCWMS52B)	white (LDCWMS52W100V) black (LDCWMS52B100V)
Woofer Size:	4"	4"	5.25"	5.25"
Woofer Size:	102 mm	102 mm	133 mm	133 mm
Tweeter Size:	0.75"	0.75"	1.2"	1.2"
Tweeter Size:	19 mm	19 mm	30 mm	30 mm
Impedance (low-impedance):	8 ohms	8 ohms	8 ohms	8 ohms
100V Connection Values:	n/a	1.25 W / 2.5 W / 5 W / 10 W	n/a	2.5 W / 5 W / 10 W / 20 W
Low-impedance Rated Load (RMS):	20 W	20 W	30 W	30 W
Sensitivity (1 W / 1 m):	87 dBspl	87 dBspl	88 dBspl	88 dBspl
Frequency Response:	90 Hz - 20 kHz	90 Hz - 20 kHz	80 Hz - 20 kHz	80 Hz - 20 kHz
Controls:	n/a	5-way switch for setting the connection value.	n/a	5-way switch for setting the connection value.
Dimensions (W x H x D):	156 x 253 x 135 mm	156 x 253 x 135 mm	180 x 294 x 160 mm	180 x 294 x 160 mm
Weight:	1.55 kg	1.77 kg	2.05 kg	2.44 kg