



# AWP06

## SpringFit™ waterproof ceiling speaker 8Ω and 100V

### Highlights:

---

- IP65 Ingress protection
- Aluminum grill
- Multi-tapping 100V line transformer
- 4" dual cone driver
- Spring-clamp mounting mechanism
- plastic enclosure

The AWP06 is a waterproof ceiling speaker with a power of 6 Watt which meets the IP65 standard. It is designed to be used in a wide variation of in- and outdoor applications and damp locations and features a 4" loudspeaker. Due to its wide smooth frequency response and high efficiency, it ensures high-fidelity music reproduction and intelligible speech at very low distortion. It can be used in 8 Ohm low impedance systems or in 100V PA systems with power taps for 6 Watt, 3 Watt and 1.5 Watt.

### Applications:

---

- Sport facilities
- Bathrooms
- Swimming pool areas
- Terraces
- Spas



### Certification:

---



### Impedance:

---



### Voltage:

---



## System specifications:

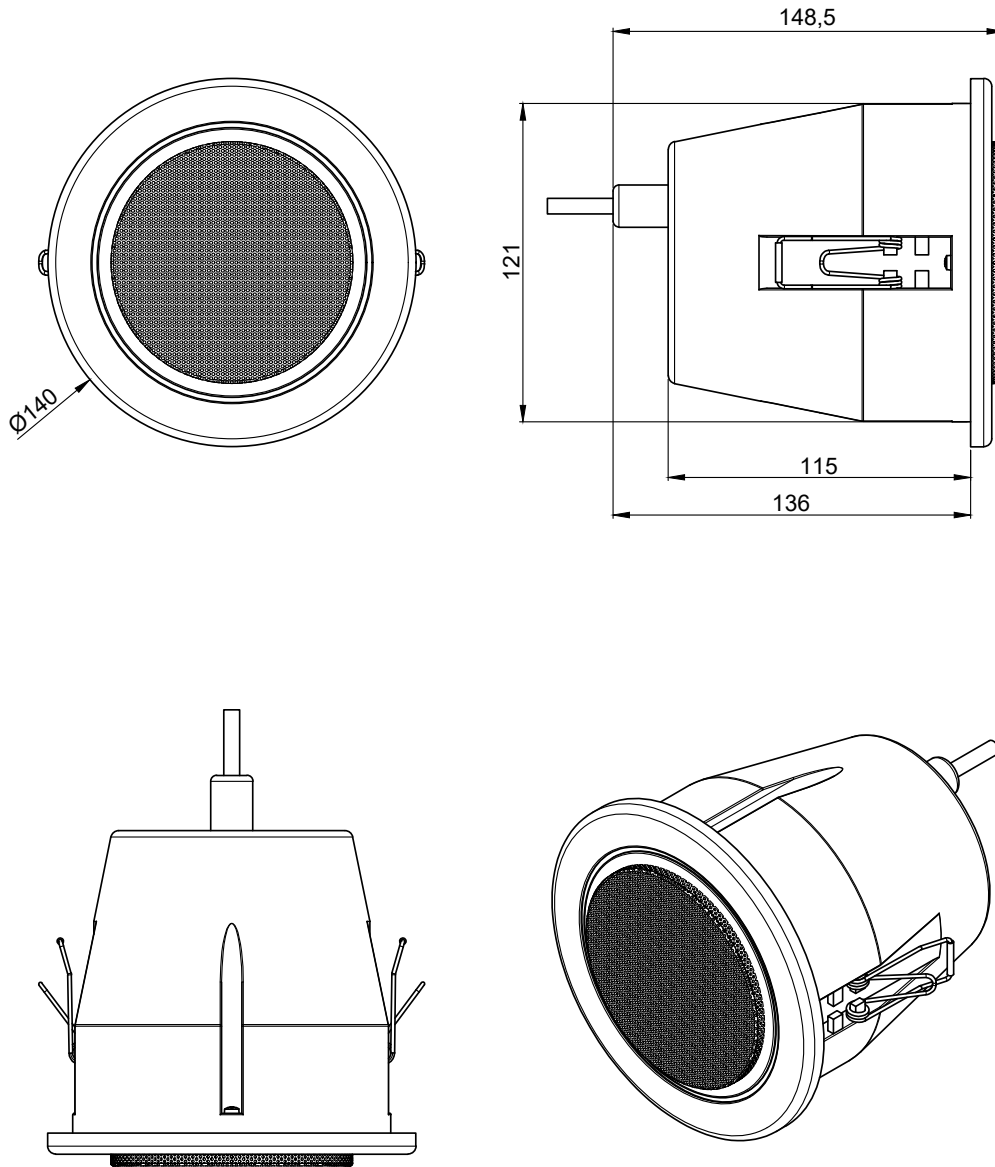
---

Max. Power		10 W
RMS Power		6 W
Frequency	Response ( $\pm 3$ dB)	100 Hz - 15 kHz
Sound Pressure (Max. W/1m)		95 dB
Line Transformer Tappings	1	6 W / 1666 $\Omega$
	2	3 W / 3333 $\Omega$
	3	1.5 W / 6666 $\Omega$
Impedance		8 $\Omega$
Ingress Protection rating		IP65
Drivers		4"

## Product Features:

---

Dimensions		140 x 148.5 mm ( $\emptyset$ x H)
Built-in depth		148.5 mm
Cut-out measurement		125 mm ( $\emptyset$ )
Weight		0.79 kg
Operating temperature		-20 $^{\circ}$ C ~ 60 $^{\circ}$ C
Construction		ABS
Colours		White (RAL9010)



## AWP06

**Product description:**

WATERPROOF CEILING SPEAKER 6W/100V & 8OHM - IP65

**Weight:**

0,79 kg

**Outer dimensions:**  
(w x h x d)

Ø140 x 148,5

**Unit height:**

N/A