

# MQ 30P

## 2 WAY MINIATURE SPEAKER

### DESCRIPTION

The components are a 3" woofer and a coaxial dome tweeter that ensure a wide angle of coverage. The speaker faithfully reproduces announcements and provides a good music background where included. Combined with a subwoofer, the MQ30P allows high quality music distribution with high output levels. An important feature of the MQ30P is that it provides consistent reproduction of all the frequencies involved in voice transmission and therefore, alone or in combination with a subwoofer, makes it possible to attain a high level of vocal intelligibility.

The MQ30P has been designed to adhere closely to the wall or ceiling and thus it has a limited protrusion. The built-in hinged support makes the speaker easy to install and orient in any direction. Like the other Monitor Q products, MQ30P installation is simple and flexible. First, the support is mounted on the wall and the connector is wired; then, when the premises is completely furnished, the installation, orientation, and connection of the mini-speaker are immediate.



### FEATURES

- Orientable mini-speaker for high quality reproduction
- Two way coaxial speaker: LF 3,5" - tweeter 0,75" dome
- Power/RMS: 24/12 W Bypass
- Constant voltage: 70,7 - 100 V
- Impedance: [Bypass] 16 Ω
- Crossover frequencies: 5400 Hz, 6/6 dB/oct
- Built-in High-Pass filter at 150 Hz for integration with a subwoofer
- Cabinet: Hi-density polystyrene HB grade
- Connectors: Euroblock, removable for easy installation

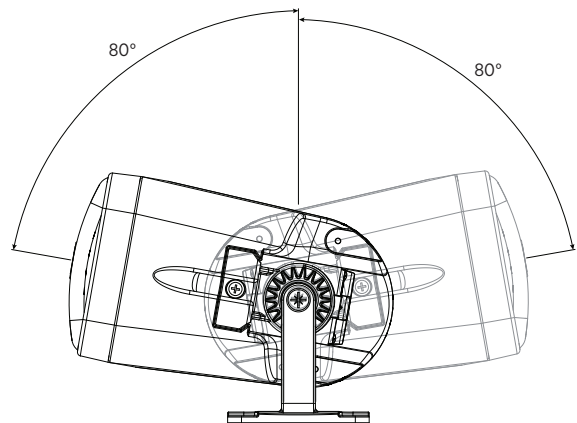
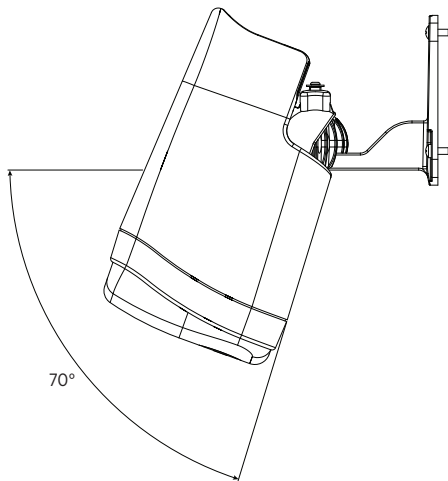
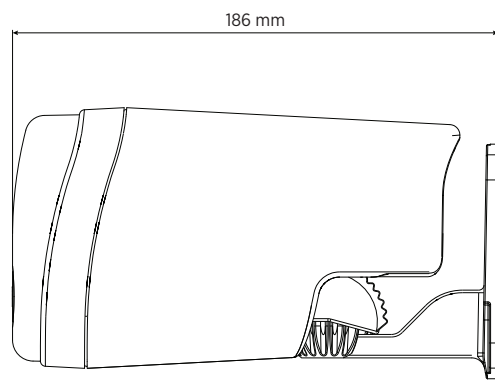
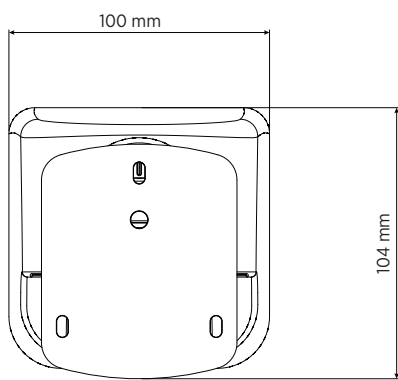
## TECHNICAL SPECIFICATIONS

<b>Acoustical specifications</b>	Frequency Response (-10dB):	150 Hz ÷ 20000 Hz
	Max SPL @ 1m:	102 dB
	Coverage angle:	120°
	System Sensitivity:	88 dB
<b>Power section</b>	Nominal Impedance (ohm):	16 ohm
	Power Handling:	12 W RMS
	Peak Power Handling:	48 W PEAK
	Recommended Amplifier:	24 W
	Crossover Frequencies:	5400 Hz
	Hi-Pass Frequencies:	150 Hz
<b>Transducers</b>	Dome Tweeter:	0.75"
	Woofer:	3.5"
<b>Input/Output section</b>	Input connectors:	Euroblock
	Output connectors:	Euroblock
	Constant Voltage Transformer:	100 V
	Power selection 1 (100 V):	12 W - 833 ohm
	Power selection 2 (100 V):	6 W - 1667 ohm
<b>Standard compliance</b>	CE marking:	Yes
<b>Physical specifications</b>	Cabinet/Case Material:	Plastic
	Hardware:	Wall mount bracket
	Grille:	Steel
	Color:	White
<b>Size</b>	Height:	104 mm / 4.09 inches
	Width:	100 mm / 3.94 inches
	Depth:	186 mm / 7.32 inches
	Weight:	1.19 kg / 2.62 lbs
<b>Shipping informations</b>	Package Height:	275 mm / 10.83 inches
	Package Width:	165 mm / 6.5 inches
	Package Depth:	145 mm / 5.71 inches
	Package Weight:	1.54 kg / 3.4 lbs

## PART NUMBER

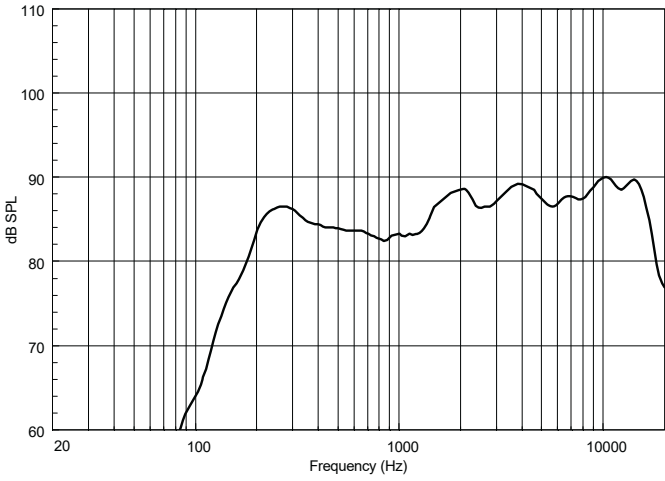
- |                   |                   |
|-------------------|-------------------|
| • <b>13000068</b> | • <b>13000058</b> |
| MQ 30P-B          | MQ 30P-W          |
| Black             | White             |
| EAN 8024530005511 | EAN 8024530005481 |

**DRAWINGS**

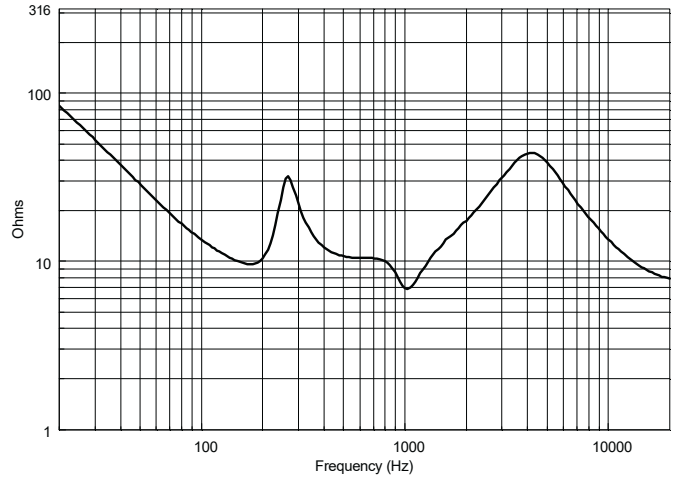




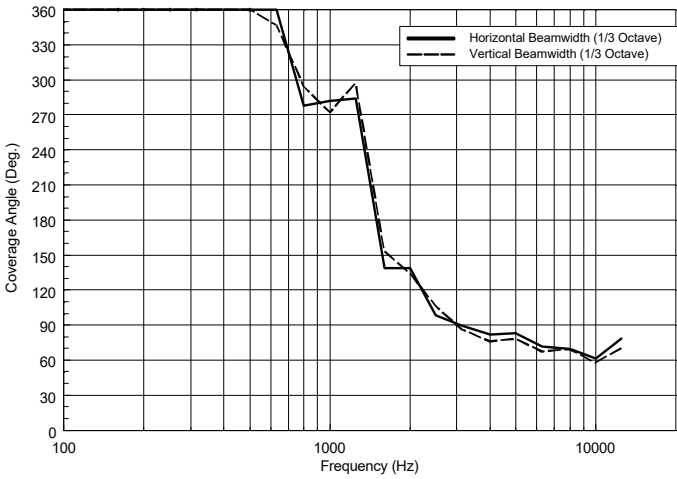
Response 1W/1m



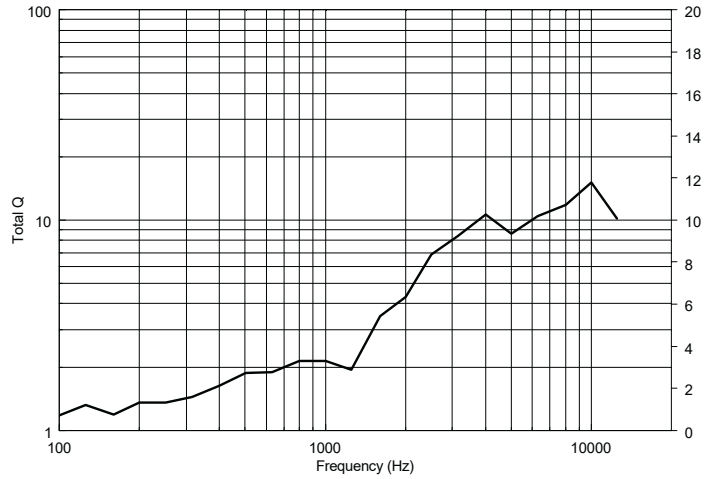
Impedance



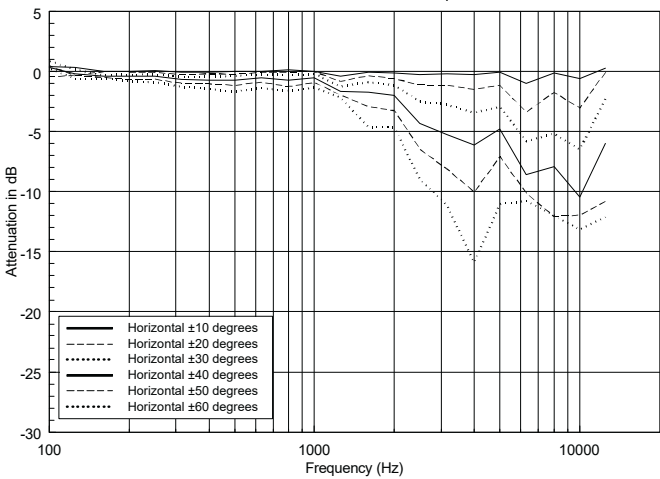
Beamwidth vs. Frequency



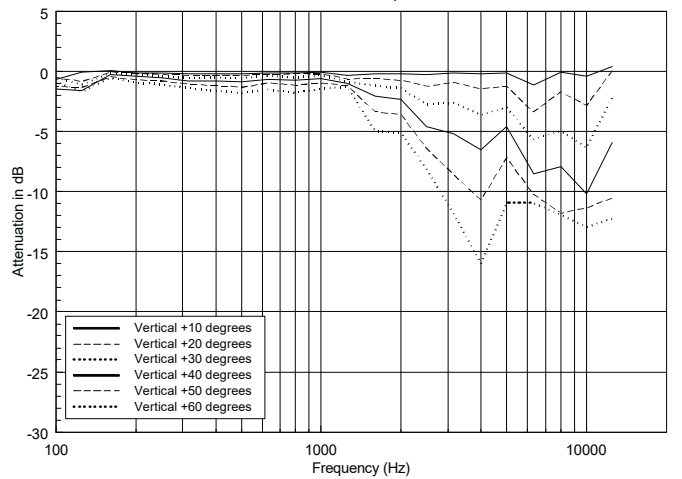
Directivity Index and Q



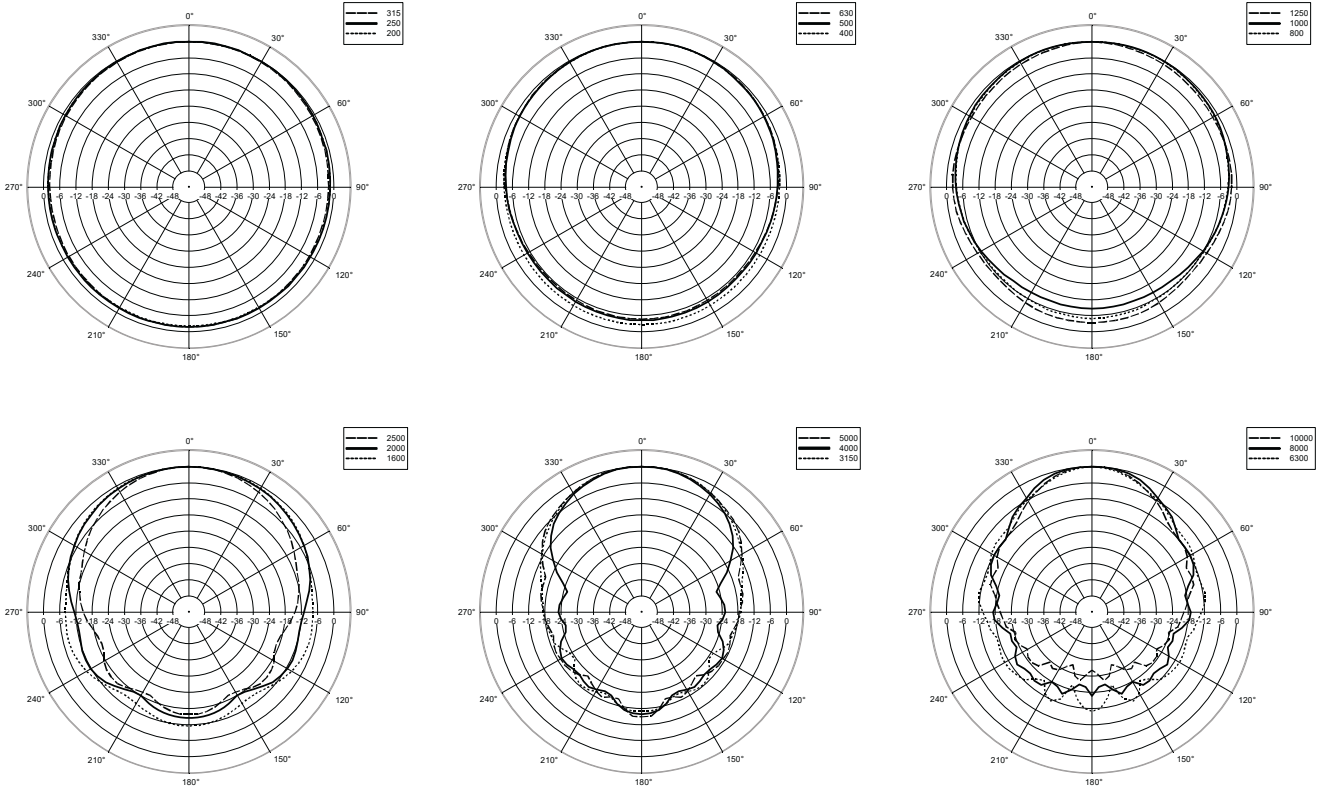
Normalized Horizontal off-axis Response



Normalized Vertical off-axis Response. Above the box



Horizontal 1/3 Polar Plot



Vertical 1/3 Polar Plot

