



## MSUB15

Arrayable Sub, band pass, with 15" Neodymium driver.

The MSUB15 sub is a compact high technology arrayable sub.

### MSUB15 main features

- Compact arrayable sub that can be stacked or flown, with or without its companion main element the GEO M10.
- Integrated rigging hardware with no loose parts.
- Available in Touring or Installation versions, with custom colour options.
- Front and rear connectivity for cardioid (front to back) implementation.
- Comprehensive range of versatile, multifunction accessories for deploying the MSUB15 in a wide variety of applications.

# NEXO

[www.nexo-sa.com](http://www.nexo-sa.com)

The MSUB15 is the ideal companion for the GEO M10 line array element, sharing same aesthetic design and arrayable in the same flown or stacked cluster.

### Compact yet powerful

The MSUB15 is only 437mm x 531mm x 704mm (17.2" x 20.9" x 27.7") and weighs 40 kg. A stack of 2 x MSUB15 is the same height as 3 x GEO M10, and this ratio is recommended for most applications.

### Advanced NEXO technology included

Building on a tradition of very high efficiency band pass sub design, the NEXO MSUB15 features a new long excursion lightweight 15 inch Neodymium driver coupled with a new quadratic-shaped low frequency port expansion, limiting the port compression to a very low level.

The result is a particularly articulate low end with a very high output level for its size.

### Cardioid implementation

Easy to deploy in Omni mode, the MSUB15 also accommodates cardioid implementation either in stacked or flown configurations.

The front and back rigging system are compatible so the MSUB15 can be implemented 'front to back'.

Connectivity is repeated on each side, making it easy to remove cables from audience view.

NEXO's acclaimed simulation software NS-1 takes care of precise simulation of any MSUB15 configurations to predict audience coverage and rejection at the back.

### Installation and Touring versions

Further versatility is assured by the availability of two versions.

The Touring version uses a solid front steel grill with a back mesh. The fully retractable rigging system connects MSUB15s together, or to the GEO M10 Series accessories. The two connection plates feature 2 x NL4 connectors each.

The Installation version keeps the same acoustic design but comes with a front steel grill covered by an acoustic cloth. The rigging system uses safety nuts and connectivity is made through cable gland and captive two core cables, installed back or front.

Both versions are available in black, white or custom colours on request.

### Perfect phase alignment

The MSUB15 shares the same phase response as other NEXO speakers, making it extremely easy to mix with other NEXO systems, e.g with the smaller GEO M6 or with other NEXO subs, without risk of comb filtering or requiring complex electronic adjustment.



MSUB15 deployed in a flown array with GEO M10.

# MSUB15

NEXO is one of the world's leading sound reinforcement loudspeaker manufacturers. Founded in 1979, the company is dedicated to crafting practical solutions with solid engineering. Each new design begins with a proprietary sophisticated computer simulation process that allows every parameter to be extensively modeled and simulated, leading to breakthrough cost and performance gains. NEXO's comprehensive product line includes loudspeakers, analogue and digital control electronics and amplification; all designed to deliver consistent sound quality and long term reliability for a broad range of applications.

MSUB15

### MSUB15 WITH NEXO TDCONTROLLER SETUP

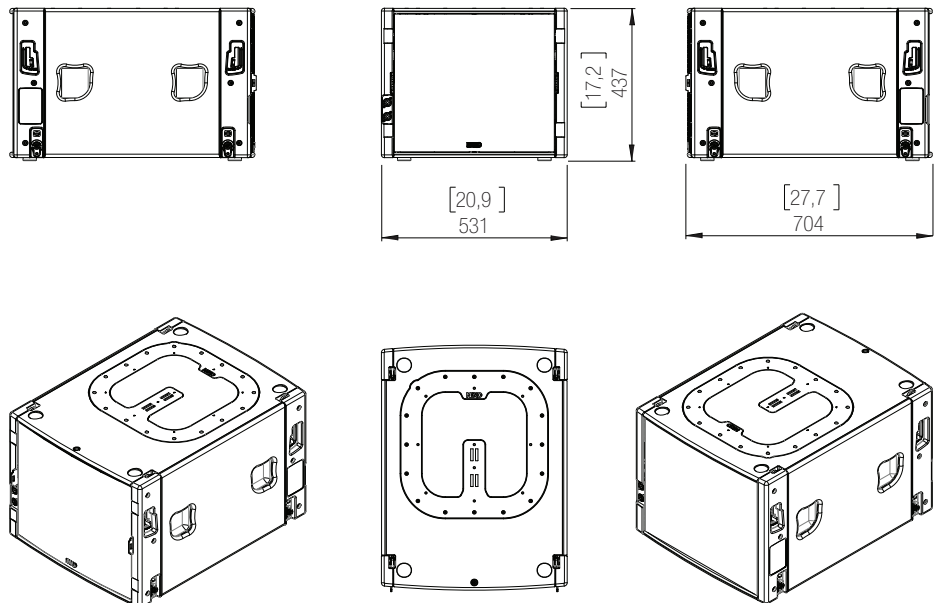
Frequency Response @-6 dB	40 Hz to 120 Hz
Sensitivity 1W@1m	101 dB SPL Nominal
Peak SPL@1m	136 dB
Available Crossover Frequencies	40-65, 40-75, 40-85, 40-95, 40-120 Hz
Nominal Impedance	8 Ohms
Recommended Power	900 Watts

### PRODUCT FEATURES

Component	1 x 15" 8 Ohms long excursion Neodymium driver
Height x Width x Depth	437mm x 531mm x 704mm (17.2" x 20.9" x 27.7")
Weight: Net	40 kg / 89 lbs
Connectors (Touring version)	4 x NL4, 4 poles connectors (1+/-1 MSUB15 / 2+/-2 Through)
Connectors (Install version)	2 x Cable gland with 2 cores cables
Construction	Baltic Birch Plywood & textured black or white coating
Fittings	4 x Side handles
Front Finish (Touring version)	Steel front grill + back mesh
Front Finish (Install version)	Acoustic fabric fitted from grill
Operating temperature range	0°C - 40 °C
Storage temperature range	-20 °C - 60 °C

### SYSTEM OPERATION

Recommended powering solution	NXAMP4x4 Powered TDController: up to 3 x MSUB15 per channel
Optional powering solution	NXAMP4x1 Powered TDController (Bridged): up to 2 x MSUB15 per channel DTD TDController + DTDAMP4x1.3 Power amplifier: 1 x MSUB15 per channel



NEXO S.A.  
 Parc d'Activité  
 du Pré de la Dame Jeanne  
 B.P. 5  
 60128 PLAILLY  
 Tel: +33 (0) 3 44 99 00 70  
 Fax: +33 (0) 3 44 99 00 30  
 e-mail: info@nexo.fr

# NEXO

www.nexo-sa.com

#### LIMITED WARRANTY

NEXO loudspeakers and electronics are covered against defects in workmanship or materials for a period of two (2) years from the original date of purchase. At the option of NEXO the defective item will be repaired/replaced with no charge for materials/labour. The item is to be adequately packaged and dispatched, pre-paid, to a NEXO authorised distributor/service centre. Unauthorised repair shall void the warranty. The NEXO warranty does not cover cosmetics or finish and does not apply to any items which in NEXO's opinion have failed due to used abuse, accidents, modifications or any type of misuse. All images and text herein are the property of NEXO SA, and deemed accurate, although specifications are subject to change without notice.