

ROUND METAL CEILING LOUDSPEAKERS

➤ **RCS8FT/EN**

➤ **RCS8FT/ENC**

EN54-24



TECHNICAL SPECIFICATIONS

EN54-24:2008

Certificate No: 0359-CPD-0120 TYPE A

ELECTRICAL

Rated power, Watts	10
Tappings 100 volt line, Watts	10/5/2.5/1.25
Transformer Impedance, Ohms 100V	1k/2k/4k/8k
Tappings 70.7 volt line, Watts	5/2.5/1.25/0.625
Driver impedance, Ohms	8
Effective Frequency Range, Hz (BSEN60268-5)	150 - 17Khz
S.P.L. @ 4m, 1watt, dB, 1/3 Octave, 1kHz	66
S.P.L. @ 1m, 1watt, dB, Test Signal Bandwidth 100Hz-10kHz	93
S.P.L. @ 4m, Full power, dB, 1/3 Octave 1kHz	76
S.P.L. @ 1m, Full power, Test Signal Bandwidth 100Hz-10kHz	103
Dispersion at 1k/2k Hz, Degrees	159/81

ENVIRONMENTAL

IP Rating	21
Max/Min Ambient Temp	55°/-10°c
Relative Humidity	≤95%

MECHANICAL

Dimensions, mm	Height 126, Ø280
Net Weight, Kgs	2.2
Colour (Unless Specified)	White RAL9016
Material	Steel
Mounting	Torsion Springs
Cut-out, mm	Ø246

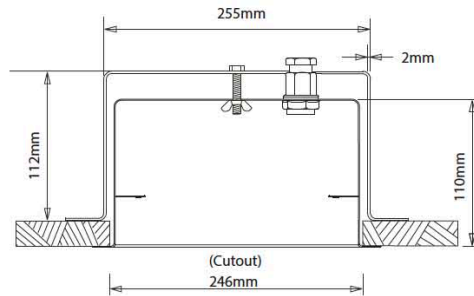
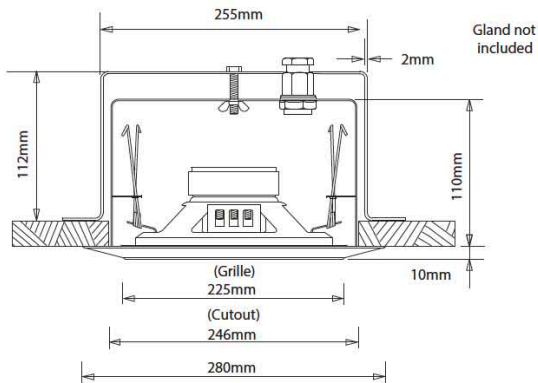
- RCS8FT/ENC is supplied with capacitor for DC line monitoring
- RCS8FT/EN & C are BS5839 Part 8 Compliant
- Recommended for internal use only

Manufacturer reserves the right to alter specifications without notice

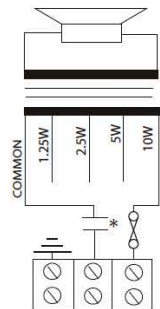
September 2016

RCS8FT/EN RCS8FT/ENC ROUND METAL CEILING LOUDSPEAKERS

EN54-24



RCS8FT/EN
RCS8FT/ENC
*with capacitor



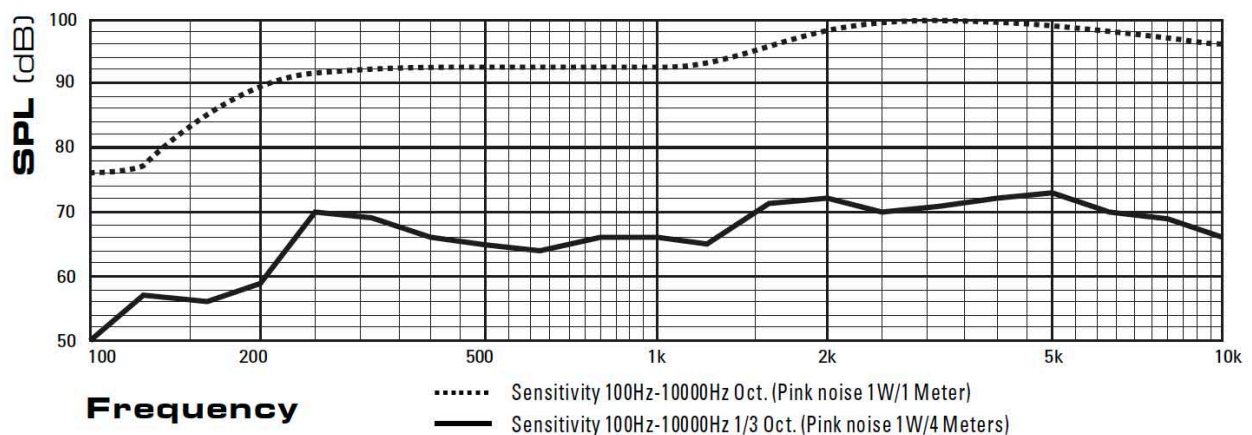
WITH TRANSFORMER: 100V/70V LINE

	WHITE WIRE PLUS TAPPING				BLACK
100V	1.25W	2.5W	6W	10W	COM
70V	0.625W	1.25W	2.5W	5W	COM
IMP(Ω)	8K	4K	2K	1K	

DISPERSION ANGLES

		HORIZONTAL	VERTICAL
1 OCT. PINK NOISE	500 Hz	182°	182°
1 OCT. PINK NOISE	1K Hz	159°	159°
1 OCT. PINK NOISE	2K Hz	79°	81°
1 OCT. PINK NOISE	4K Hz	59°	58°

FREQUENCY RESPONSE



The RCS8FT/EN & RCS8FT/ENC have been tested in 100 hours max power (10W). The models do not deviate by more than ± 3 dB from the original test value. The frequency response curve and impedance complies with the original one. All SPL tests are performed in an anechoic chamber (<70m³)

Commercial Audio Solutions Ltd
The Old Barn, Whitecroft Farm
Station Road
Strines, Derbyshire
SK22 3AH
Tel: 01663 767888
Email: sales@commercialaudiosolutions.com