

METAL COLUMN LOUDSPEAKER

➤ MCS20T/EN ➤ MCS20T/ENC

EN54-24



TECHNICAL SPECIFICATIONS

EN54-24:2008

Certificate No: 0359-CPD-0165 TYPE B

ELECTRICAL

Rated power, Watts	20
Tappings 100 volt line, Watts	20/10/5/2.5
Transformer Impedance, Ohms 100V	500/1k/2k/4k
Tappings 70.7 volt line, Watts	10/5/2.5/1.25
Driver impedance, Ohms	2
Effective Frequency Range, Hz (BSEN60268-5)	170 - 17k
S.P.L. @ 4m, 1watt, dB, 1/3 Octave, 1KHz	67
S.P.L. @ 1m, 1watt, dB, Test Signal Bandwidth 100Hz-10kHz	92
S.P.L. @ 4m, Full power, dB, 1/3 Octave 1KHz	82
S.P.L. @ 1m, Full power, Test Signal Bandwidth 100Hz-10kHz	105
Dispersion at 1k/2k Hz, Degrees	180/150 (horizontal) 110/60 (vertical)

ENVIRONMENTAL

IP Rating	55
Max/Min Ambient Temp	70°/-25°C
Relative Humidity	≤95%

MECHANICAL

Dimensions, front dia x D, mm	368 x 98 x 90
Net Weight, Kgs	2.5
Colour (Unless Specified)	RAL9016
Material	Aluminium
Mounting	Steel L bracket, optional swivel bracket PEN1066

- MCS20T/ENC is supplied with capacitor for DC line monitoring
- MCS20T/EN & C BS5839 Part B Compliant
- Suitable for external use

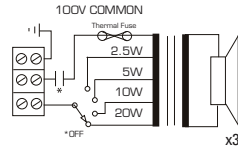
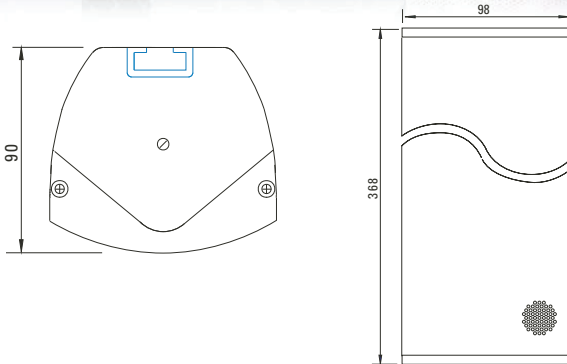
Manufacturer reserves the right to alter specifications without notice

September 2016

MCS20T/EN

MCS20T/ENC

METAL COLUMN LOUDSPEAKERS



MCS20T/EN
MCS20T/ENC
*with capacitor

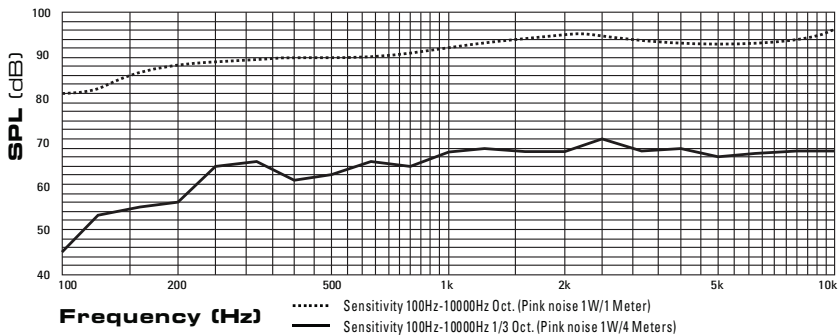
WITH TRANSFORMER: 100V/70V LINE

	WHITE WIRE PLUS TAPPING						BLACK
100V	2.5W	5W	10W	20W	OFF	COM	
70V	1.25W	2.5W	5W	10W	OFF	COM	
IMP(Ω)	4K	2K	1K	500K	∞		

DISPERSION ANGLES

		HORIZONTAL	VERTICAL
1 OCT. PINK NOISE	500 Hz	360°	200°
1 OCT. PINK NOISE	1K Hz	180°	110°
1 OCT. PINK NOISE	2K Hz	150°	60°
1 OCT. PINK NOISE	4K Hz	100°	30°

FREQUENCY RESPONSE



*Active Equalizer Applied: NO

The MCS20T/EN & MCS20T/ENC have been tested for 100 hours at a maximum power of 20W. Both units did not deviate by more than +/- 3dB. The frequency response and impedance curves remained constant throughout the test period. All results are in full compliance with the requirements of EN54-24



Penton UK Ltd

Unit 2 Teville Industrials | Dominion Way | Worthing | West Sussex | BN14 8NW
 T: +44 (0)1903 215315 | F: +44(0)1903 215415 | E: SALES@PENTONUK.CO.UK

www.pentonuk.co.uk

