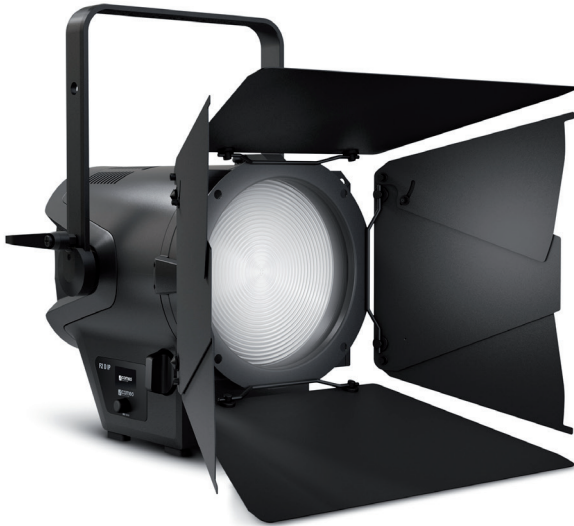


F2 D IP

IP65 FRESNEL SPOTLIGHT WITH RGBW LED



FEATURES

- ▶ LED Fresnel spotlight with 5,400 K daylight LED and 15,000 lm luminous flux
- ▶ Outdoor-ready thanks to IP65 classification
- ▶ True-to-life colour rendering, CRI 96, TLCI 97
- ▶ Stepless zoom for beam angles from 15° to 40°
- ▶ 4 selectable 16-bit dimmer curves with adjustable response behaviour
- ▶ Optimised function through highly efficient heat pipe cooling and temperature-controlled fan
- ▶ RDM-capable
- ▶ Selectable pulse width modulation frequencies up to 25 kHz
- ▶ Flicker-free and low-noise operation, ideal for TV, film and theatre
- ▶ Including 8-fold sash limiter and gel frame

DESCRIPTION

Based on the already established F2 models of the F series, there are now three more weatherproof Fresnel spotlights that open up completely new areas of application with their IP65 protection class. Thanks to the IP65 upgrade, these Fresnel spotlights can now also be used for open-air theatres, musicals or concerts as well as film and TV productions and defy all weather conditions.

With a 200 mm quality lens and high luminous flux of 15,000 lm, the RDM-capable spotlight produces a softly edged light beam with an infinitely adjustable beam angle of 15° to 40°, offering a perfect and energy-saving alternative for conventional 1 kW Fresnel models. Its 240 W daylight LED with 5,400 K colour temperature has a service life of 50,000 hours. Colours are reproduced naturally and unaltered thanks to the extremely high colour rendering index of 96.

The F2 D IP has 6 DMX control modes, a fast strobe function and 4 dimmer curves with 16-bit resolution and adjustable response. Six selectable pulse width modulation frequencies up to 25 kHz ensure flicker-free operation, highly efficient heat pipe cooling and a temperature-controlled fan ensure optimal function. The robust cast aluminium housing is equipped with a rotary encoder and OLED display for convenient configuration of the spotlight, 5-pin DMX connections and Power-Twist mains sockets enable easy back-to-back switching. The scope of delivery includes an 8-way barn door, a gel frame and the power cable.



Features and specifications
subject to change without notice.

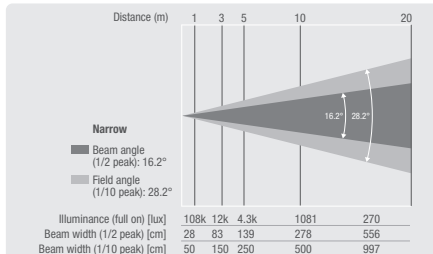
adamhall.com

F2 D IP

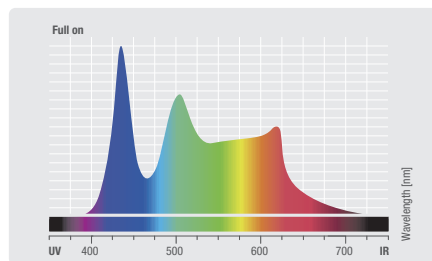
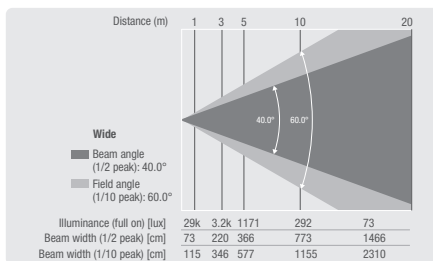
IP65 FRESNEL SPOTLIGHT WITH RGBW LED



PHOTOMETRICAL DATA



	Luminous flux	Chromaticity coordinates	CCT	R _s
Full on	15000 lm	x 0.330 y 0.330	5600K	96



SPECIFICATIONS

Product type	LED Fresnel Spotlight
Type	Outdoor
Colour spectrum	Cold White (5400K)
Number of LEDs	1
LED type	240 W (ca. 50,000 Operating Hours)
Refresh rate	800 - 25000 Hz
Dispersion	Beam Angle: 16 ° - 40 °, Field Angle: 28 ° - 60 °
Lens	200 mm Fresnel
DMX input	5-Pol
DMX output	5-Pol
DMX mode	1-channel, 2-channel 1, 2-channel 2, 3-channel, 4-channel, 5-channel
DMX Functions	Device Settings, Dimmer, Dimmer Curve, Dimmer Fine, strobe
Standalone modes	Master / Slave mode, Static
Controls	Encoder
Indicators	OLED Display
Operating voltage	100 V AC - 240 V AC, 50 - 60 Hz
Power consumption	210 W
Power connector	TRUE1 Compatible Power I/O Socket
Housing material	Die-cast aluminium
Cabinet colour	Black
Protection class IP	IP65
Cooling	Comination of Heat Pipe and Temperature Controlled Fan
Luminous flux	15,000 lm
Efficiency	63 lm/W
Color temperature	5400 K
Ambient temperature (operating)	-15 - 45 °C
Weight	10 kg
Dimensions (W x H x D, without Mounting Bracket and Sash Limiter)	
Width	270 mm
Height	292 mm
Depth	322 mm

Features and specifications
subject to change without notice.

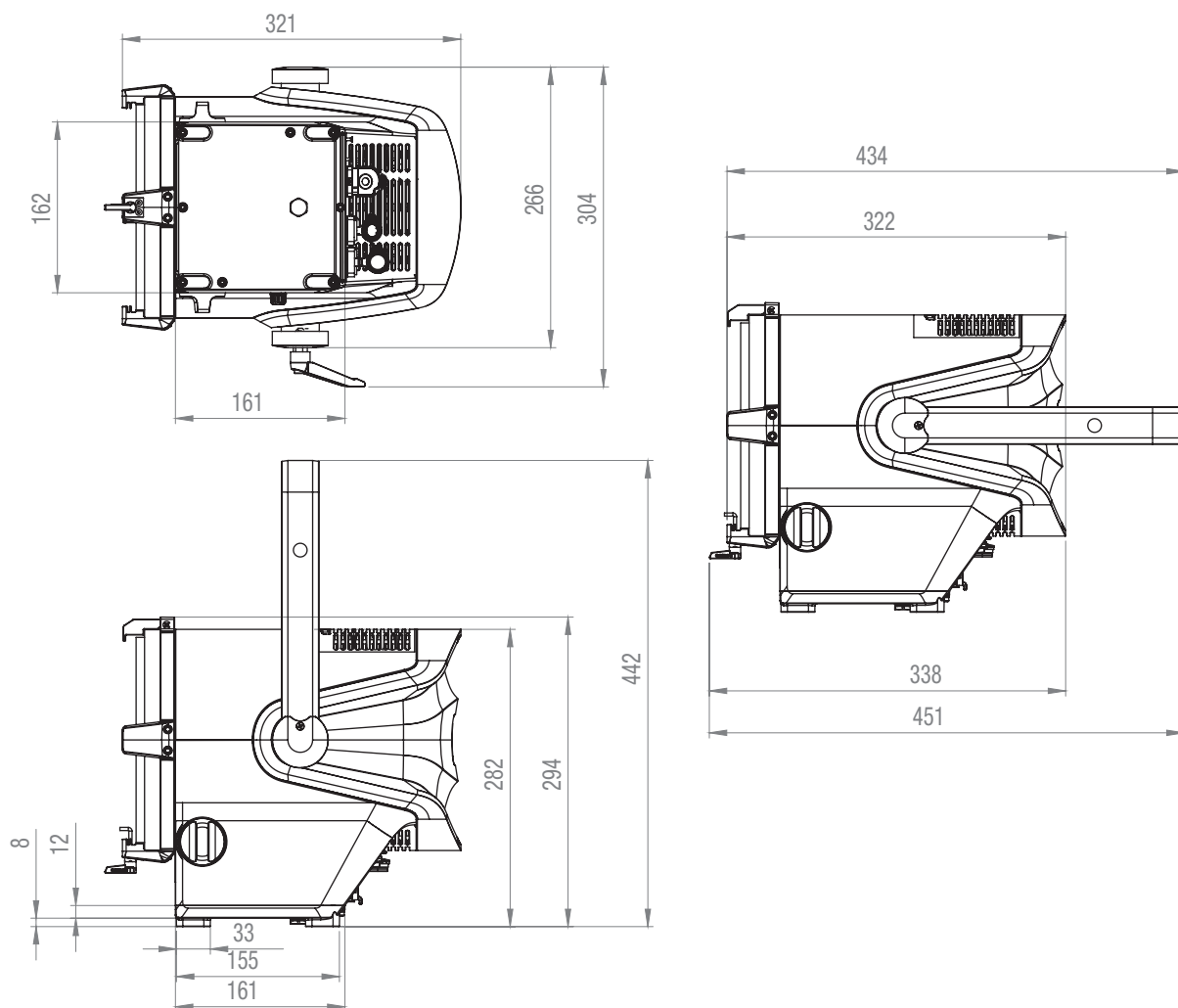
adamhall.com

F2 D IP

IP65 FRESNEL SPOTLIGHT WITH RGBW LED



DIMENSIONS (mm)



Features and specifications
subject to change without notice.

adamhall.com