

# ZENIT® W600i

OUTDOOR LED WASH LIGHT FOR FIXED INSTALLATION



## FEATURES

- ▶ 40 x 15 W RGBW LEDs with 21,000 lm luminous flux for intensive homogeneous colour mixing
- ▶ Configuration only possible via RDM or with the ZENIT® REMOTE DISPLAY CONTROLLER (CLZIEXDISP) - available separately
- ▶ IP67 classification for continuous use outdoors
- ▶ Black C5-M certified coating
- ▶ Various symmetric and asymmetric filter frames available as accessories
- ▶ High-resolution color mixing and dimming using 16-bit technology
- ▶ 18° beam angle and 35° field angle without diffuser
- ▶ Control via DMX, RDM (via DMX) and automated programs
- ▶ Temperature-controlled fans for reliable, low-noise operation

## DESCRIPTION

Whether onto modern buildings, rough facades or impressive monuments, the ZENIT® W600i projects up to 21,000 lm of light from a total of 40 15-watt RGBW LEDs powerfully and precisely onto every shape. Advanced 16-bit technology for high-resolution color mixing and dimming enables lighting designers to produce intense, homogeneous color and white surfaces that immerse even the largest buildings in perfect light. Combined with integrated color temperature correction (CTC) and LED color calibration, the selectable dimmer curves along with the optional simulation of the dimming behaviour of a halogen lamp, the ZENIT® W600i offers an extremely versatile tool for professional architectural lighting.

Compared to the ZENIT® W600 (IP65), the W600i with its IP67 protection rating is optimally protected against temporary submersion under water and thus perfectly prepared for maritime applications. Its heavy duty build quality and black C5-M coating provides outstanding resistance against corrosion and other environmental influences.

The ZENIT® W600i offers maximum flexibility by making a wide range of accessories available. These include a number of symmetric and asymmetric filter frames to produce the desired beam angle. Glare from a direct light source is avoided by using either full or partial glare protection. With a special mounting plate, the spotlight can be permanently mounted to withstand strong forces.

For live stages, outdoor events and in the TV sector, the ZENIT® W600 has already proven its quality - with the ZENIT® W600i, architects, planners, light designers and rental service providers who increasingly work in the field of architectural lighting now also benefit from the enormous light output, color quality, and reliability of this outdoor wash light.

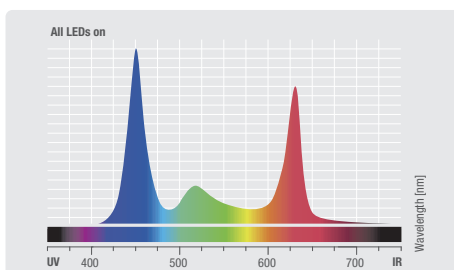
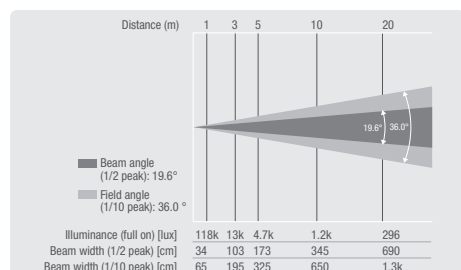


# ZENIT® W600i

## OUTDOOR LED WASH LIGHT FOR FIXED INSTALLATION



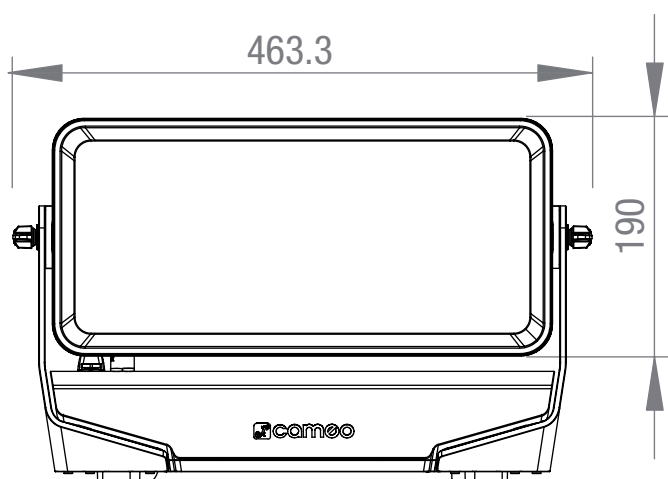
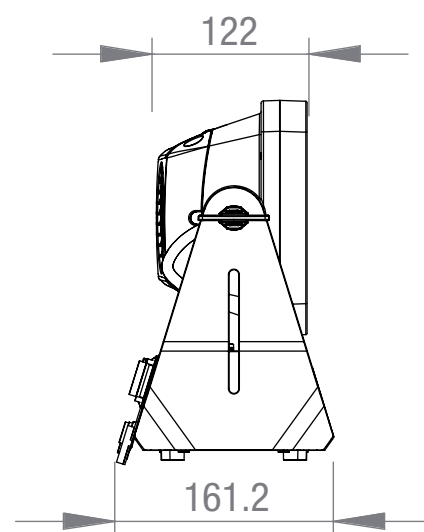
### PHOTOMETRICAL DATA



Luminous flux	Chromaticity coordinates	CCT	R <sub>a</sub>
All LEDs on	x 0.295 y 0.203	6500 k	73
Red	x 0.687 y 0.307		
Green	x 0.156 y 0.686		
Blue	x 0.151 y 0.028		
White	x 0.314 y 0.327		

### SPECIFICATIONS

Product type	LED Outdoor Wash Light
Type	ZENIT
Colour spectrum	RGBW
Number of LEDs	40
LED type	15 W
Average LED lifetime	50000 hrs.
Refresh rate	800 Hz, 1200 Hz, 2000 Hz, 3600 Hz, 12 kHz, 25 kHz - adjustable Hz
Dispersion	Beam Angle: 18 °, Field Angle: 35 °
Lens	PE and tempered glass
DMX input	Clamp connector
DMX output	Clamp connector
DMX mode	10-channel, 15-channel, 2-channel, 3-channel, 4-channel, 8-1 Channel, 8-2 Channel
DMX Functions	Auto programs, colour macro, CTC (Colour Temperature Correction), Dimmer, Dimmer Curve, Dimmer Fine, Dimmer Response, RGBW, RGBW Fine, strobe
Operating voltage	100 V AC - 240 V AC, 50 - 60 Hz
Power consumption	565 W
power factor	0.99 PF (120V) / 0.96 PF (230V)
Housing material	Die-cast aluminium
Cabinet colour	Black
Protection class IP	IP67
Cooling	Comination of Heat Pipe and Temperature Controlled Fan
Luminous flux	21000 lm
Efficiency	37.2 lm/W
Operating Temperature	-15 - 45 °C
Accessories (included)	DMX Cable, Power cord
Width	463 mm
Length	161 mm
Height	291 mm
Weight	15.2 kg



Features and specifications subject to change without notice.

[adamhall.com](http://adamhall.com)