

USER'S MANUAL
BEDIENUNGSANLEITUNG
MANUEL D'UTILISATION
MANUAL DE USUARIO
INSTRUKCJA OBSŁUGI
MANUALE D' USO



AZOR[®] S2

COMPACT SPOT MOVING HEAD
CLAZORS2

CONTENTS / INHALTSVERZEICHNIS / CONTENU / CONTENIDO / TREŚĆ / CONTENUTO

ENGLISH

INFORMATION ON THIS USER MANUAL	6
INTENDED USE	6
DEFINITIONS AND SYMBOL EXPLANATIONS	6
SAFETY INSTRUCTIONS	7
NOTES FOR MOBILE INDOOR DEVICES INCLUDED	10
INTRODUCTION	10
CONNECTIONS, OPERATING AND DISPLAY ELEMENTS	11
OPERATION	14
SETUP AND INSTALLATION	20
CARE, MAINTENANCE AND REPAIR	21
DIMENSIONS (MM)	22
TECHNICAL DATA	23
MINIMUM DISTANCE TO ILLUMINATED SURFACE	24
MINIMUM DISTANCE TO NORMALLY FLAMMABLE MATERIALS	24
DISPOSAL	25
MANUFACTURER'S DECLARATIONS	26

DEUTSCH

INFORMATIONEN ZU DIESER BEDIENUNGSANLEITUNG	27
BESTIMMUNGSGEMÄSSER GEBRAUCH	27
BEGRIFFS- UND SYMBOLERKLÄRUNGEN	27
SICHERHEITSHINWEISE	28
HINWEISE FÜR ORTSVERÄNDERLICHE INDOOR-GERÄTE	31
LIEFERUMFANG	31
EINFÜHRUNG	32
ANSCHLÜSSE, BEDIEN- UND ANZEIGEELEMENTE	33
BEDIENUNG	35
AUFSTELLUNG UND MONTAGE	42
PFLEGE, WARTUNG UND REPARATUR	43
ABMESSUNGEN (MM)	44
TECHNISCHE DATEN	45
MINDESTABSTAND ZUR BELEUCHTETEN FLÄCHE	46
MINDESTABSTAND ZU NORMAL ENTFLAMMBAREN MATERIALIEN	46
ENTSORGUNG	47
HERSTELLERERKLÄRUNGEN	48

DMX

DMX CONTROL / DMX STEUERUNG / PILOTAGE DMX / CONTROL DMX /
STEROWANIE DMX / CONTROLLO DMX

139

YOU HAVE MADE THE RIGHT CHOICE!

This device has been developed and manufactured to the highest quality standards to ensure many years of problem-free operation. Please read this user manual carefully to be able to use your new Cameo product quickly and optimally. Further information about Cameo Light is available on our website **CAMEOLIGHT.COM**.

INFORMATION ON THIS USER MANUAL

- Carefully read the safety instructions and the entire manual before operating the device.
- Observe the warnings on the device and in the user manual.
- Always keep the user manual within reach.
- If you sell or pass on the device, it is important that you also include this user manual, as it is an integral part of the product.

INTENDED USE

The product is a device for event technology!

This product has been developed for professional use in the field of event technology and is not suitable for use as domestic lighting!

Furthermore, this product is only intended for qualified users with specialist knowledge of event technology!

Use of the product outside the specified technical data and operating conditions is considered inappropriate!

Liability for damage and third-party damage to persons and property due to inappropriate use is excluded!

The product is not suitable for:

- Use by persons (including children) with limited physical, sensory or mental abilities or lack of experience and knowledge.
- Children (children must be instructed not to play with the device).

DEFINITIONS AND SYMBOL EXPLANATIONS

1. **HAZARD:** The word HAZARD, possibly in combination with a symbol, indicates situations in which there is an immediate danger or risk of potentially fatal injury.

2. **WARNING:** The word WARNING, possibly in combination with a symbol, indicates situations in which there is an immediate danger or risk of potentially fatal injury.

3. **CAUTION:** The word CAUTION, possibly in combination with a symbol, indicates situations or conditions that could result in injury.

4. **ATTENTION:** The word ATTENTION, possibly in combination with a symbol, indicates situations or conditions that could result in damage to property and/or the environment.



This symbol identifies hazards that can cause electric shock.



This symbol identifies hazardous areas or hazardous situations.



This symbol indicates hazards caused by hot surfaces.



This symbol indicates hazards caused by intense light sources.



This symbol indicates a device in which there are no user-replaceable parts.



This symbol indicates additional information on the operation of the product.

SAFETY INSTRUCTIONS



HAZARD:

1. Do not open the device and do not perform any modifications.
2. If your device no longer functions properly, if liquids or objects get inside it or if it has been damaged in any other way, switch it off immediately and unplug it from the power source. The device may be repaired only by authorised repair technicians.
3. For devices of protection class 1, the protective conductor must be connected correctly. Never disconnect the protective conductor. Devices of protection class 2 do not have a protective conductor.
4. Ensure that live cables are not kinked or otherwise mechanically damaged.
5. Never bypass the device fuse.



WARNING:

1. The device may not be operated if it shows obvious signs of damage.
2. The device may only be installed in a voltage-free state.
3. If the device's power cable is damaged, the device may not be used.
4. Permanently connected power cables may only be replaced by a qualified person.

**ATTENTION:**

1. Do not switch on the device if it has been exposed to extreme temperature fluctuations (for example, following transport). Moisture and condensation can damage the device. Switch on the device only when it has reached room temperature.
2. Ensure that the voltage and frequency of the mains supply match the values specified on the device. If the device has a voltage selector switch, do not connect the device until it has been set correctly. Use only suitable power cables.
3. To disconnect the device from the mains on all poles, it is not sufficient to press the on/off switch on the device.
4. Make sure that the fuse used corresponds to the type printed on the device.
5. Ensure that suitable measures have been taken against overvoltage (e.g. lightning strikes).
6. Observe the specified maximum output current on devices with a Power Out connection. Ensure that the total current consumption of all connected devices does not exceed the specified value.
7. Replace plug-in power cables with original cables only.

**HAZARD:**

1. Choking hazard! Plastic bags and small parts must be kept out of reach of persons (including children) with reduced physical, sensory or mental capabilities.
2. Risk of falling! Make sure that the device is securely installed and will not fall down. Only use suitable stands or mounts (particularly for fixed installations). Ensure that accessories are properly installed and secured. Ensure that applicable safety regulations are observed.

**WARNING:**

1. Use the device in the prescribed manner only.
2. Operate the device using only accessories of the type recommended and supplied by the manufacturer.
3. Observe safety regulations applicable in your country during installation.
4. After connecting the device, ensure that all cables are routed so as to avoid damage or accidents, such as from tripping.
5. Always observe the specified minimum distance to normally flammable materials! Unless explicitly stated, the minimum distance is 0.3 m.

**CAUTION:**

1. Moving components such as mounting brackets may become jammed.
2. In the case of devices with motor-driven components, there is a risk of injury due to the movement of the device. Sudden movement of the device can cause shock reactions.
3. The housing surface of the device can become very hot during regular operation. Ensure that accidental touching of the housing is not possible. Always allow the device to cool sufficiently before removal, maintenance work and charging etc.

**ATTENTION:**

1. Do not install or use the device in the vicinity of radiators, accumulators, stoves, or other heat sources. Ensure that the device is always installed in such a way that it is sufficiently cooled and cannot overheat.
2. Do not place any ignition sources, such as burning candles, near the device.
3. Ventilation openings must not be covered and fans must not be blocked.
4. For transport, use the original packaging or packaging provided by the manufacturer.
5. Avoid any impacts to or shaking of the device.
6. Observe the IP rating and the ambient conditions such as temperature and humidity according to the specifications.
7. Devices can be continuously further developed. In the event of deviating information on operating conditions, performance or other device properties between the user manual and the device labelling, the information on the device always has priority.
8. The device is not suitable for tropical climate zones or for operation over 2,000 m above sea level.
9. Unless explicitly stated, the device is not suitable for operation under marine conditions.

**PLEASE NOTE:**

For conversion or retrofit sets or accessories provided by the manufacturer, it is essential to observe the instructions included.

CAUTION! IMPORTANT INFORMATION REGARDING LIGHTING PRODUCTS!

1. Never look directly into the beam of light, not even for a short period of time.
2. Never look into the beam of light using optical devices such as a magnifying glass.



3. Stroboscopic effects may cause epileptic seizures in susceptible individuals!



4. Permanently installed lamps are built into these lighting units. These may not be replaced by the user. The lamps contained in this lighting unit may only be replaced by the manufacturer, its service partner, or a similarly qualified person.

NOTES FOR MOBILE INDOOR DEVICES

1. Temporary operation! Event equipment is generally only designed for temporary operation.
2. Continuous operation or permanent installation can impair the functioning of the device and cause premature ageing.

INCLUDED

Remove the product from the packaging and remove all packaging material.

Please check the completeness and integrity of the delivery and notify your distribution partner immediately after purchase if the delivery is not complete or if it is damaged.

Product includes:

- ▶ 1 x AZOR S2 LED moving head
- ▶ 2 x Omega mounting brackets
- ▶ 1x power cable
- ▶ User manual

INTRODUCTION**LED MOVING HEAD**

CLAZORS2

CONTROL FUNCTIONS:

21-channel basic, 24-channel standard, 28-channel extended DMX control
DMX512

W-DMX™ via optionally available Cameo iDMX stick

RDM

Master / slave operation

Standalone functions

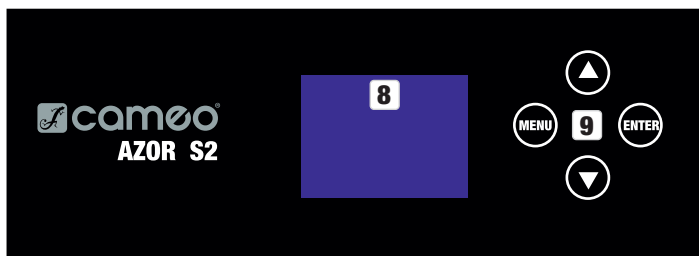
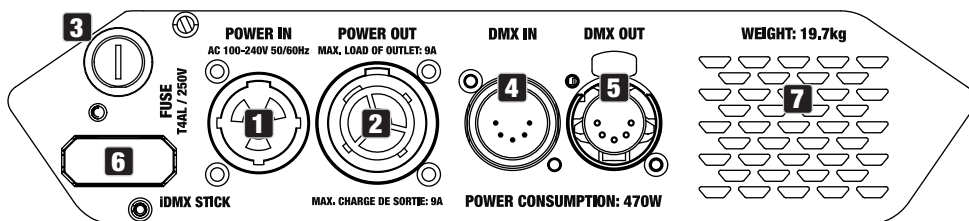
FEATURES:

300 W cool white LED. CMY colour mix. Colour wheel with 8 colours plus open. 2 gobo wheels with 8 rotating gobos and 11 fixed gobos plus open. Zoom, Focus, Iris, Prism and Frost functions. DMX512. Connection for optional iDMX stick for wireless control via W-DMX™. 5-pin DMX connections. 2 x Omega mounting brackets included.

The spotlight features the RDM standard (Remote Device Management). Remote device management allows the user to view the status and configuration of RDM terminals via an RDM-capable controller, such as the optionally available Cameo UNICON (product number CLIREMOTE).

Cameo UNICON also provides access to the entire spotlight menu.

CONNECTIONS, OPERATING AND DISPLAY ELEMENTS



1 POWER IN

TRUE1-compatible mains input socket. Operating voltage 100–240 V AC/50–60 Hz. Use the power cable provided.

2 POWER OUT

TRUE1-compatible mains output socket. Facilitates power supply to other CAMEO spotlights. Ensure that the total power consumption of all devices connected to the device does not exceed the given ampere (A) value.

3 FUSE

Fuse holder for 5 x 20 mm fuses. **IMPORTANT:** Replace the fuse only with a fuse of the same type and value. In the event of repeated fuse failure, please contact an authorised service centre.

4 DMX IN

Male 5-pin XLR socket for connection to a DMX control device (e.g. DMX console).

5 DMX OUT

Female 5-pin XLR socket for sending the DMX control signal.

6 IDMX STICK

Connection for the optional iDMX stick for W-DMX™ connection (plug in the iDMX stick with the antenna facing upwards). Note the settings under **Wireless** in the Settings menu.

7 VENTILATION OPENINGS

To avoid damage to the device, do not cover the ventilation openings on the rear and ensure that air can circulate freely.

8 OLED DISPLAY

The OLED display shows the currently activated mode (main display), the menu items in the menu and the numerical value or operational status in certain menu items. If there is no input for approx. one minute, the display automatically returns to the main display. Note regarding the main display in operating modes with external control: As soon as the control signal is interrupted, the characters in the display begin to flash. When there is a control signal again, the flashing stops.

9 CONTROL KEYS

MENU – Press MENU to access the main menu. Press again or repeatedly to return to the main display. Pressing MENU without confirming a value or status change with ENTER restores the previously confirmed value or status.

ENTER – press ENTER to access the menu levels, to make value changes, and to access the submenus. Confirm value or status changes by pressing ENTER.

▲ and ▼ – Select individual menu items in the main menu (DMX address, DMX mode etc.) and in the submenus. Allows you to change the value of a menu option, such as the DMX address, as desired (long press = quick value change).

10 RECESSED GRIPS

In addition to the two transport handles on the base of the unit, there are practical recessed grips at the top of the inner sides of the two device arms.



11 PAN LOCK

Mechanical locking device used to prevent the rotation of the head in the horizontal direction during transport. Disconnect the unit from the mains, move the head parallel to the base (8 possible positions) and push the locking lever upwards and then in the direction of the pan rotation axis (LOCK) to lock it in position. Unlock the device before startup (UNLOCK).



12 TILT LOCK

Mechanical locking device used to prevent rotation of the head in the vertical direction during transport (7 possible positions). Disconnect the unit from the mains and slide the locking lever in the direction of the tilt rotation axis, moving the head of the unit vertically until one of the 7 locking positions is found and the locking lever engages (LOCK). Unlock the device before startup (UNLOCK).

- Similar to image -



OPERATION

NOTES

When the spotlight is started, “Update Wait” briefly appears on the display, then “Welcome to Cameo”, the model name and the software version. The motors are then reset (Motor Reset Please Wait). After this process, the spotlight is operational and the previously activated operating mode is launched.

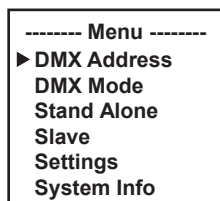
MAIN DISPLAY IN DMX MODE

The main display in DMX mode shows the currently set DMX start address (see illustration). If the spotlight has no DMX signal, the characters on the display flash.



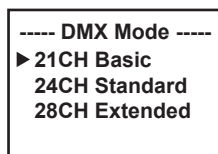
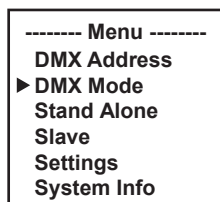
SETTING DMX START ADDRESS (DMX Address)

Starting from the main display, press MENU to enter the main menu. Now use ▲ or ▼ to select the menu item **DMX Address** and confirm with ENTER. Now use the ▲ or ▼ buttons to configure the desired DMX start address and press ENTER to confirm (highest value dependent upon activated DMX mode).



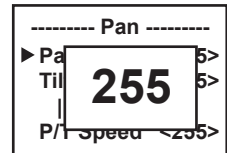
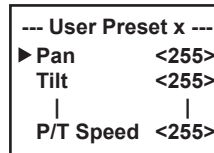
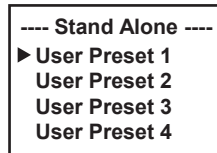
CONFIGURING DMX MODE (DMX Mode)

Starting from the main display, press MENU to enter the main menu. Now use ▲ or ▼ to select the menu item **DMX Mode** and confirm with ENTER. Again use ▲ or ▼ to select the desired DMX mode and confirm with ENTER. Tables with the channel assignment of the different DMX modes can be found in these instructions under DMX CONTROL.



STAND ALONE MODE (Stand Alone)

Four individually adjustable scenes are available in stand alone mode. Starting from the main display, press MENU to enter the main menu. Use ▲ or ▼ to select the menu item **Stand Alone** and confirm with ENTER. Now use ▲ and ▼ to select the desired preset and confirm with ENTER.

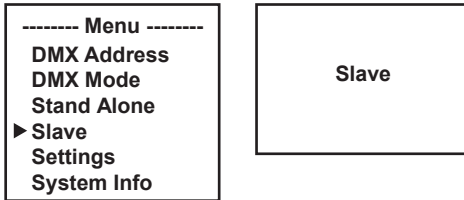


Select the desired submenu item, confirm, set the desired value and confirm again.

User Preset X	Tilt	000	-	255	0% -> 100%
	Pan	000	-	255	0% -> 100%
	Dimmer	000	-	255	Master dimmer 0% -> 100%
	Strobe	000	-	255	Multi-functional strobe
	Cyan	000	-	255	CMY
	Magenta	000	-	255	
	Yellow	000	-	255	
	Colour	000	-	255	Colour Wheel
	Gobo 1	000	-	255	Gobo Wheel 1
	Gobo 1 Red	000	-	255	Gobo 1 Rotation
	Gobo 2	000	-	255	Gobo Wheel 2
	Zoom	000	-	255	Narrow -> wide
	Focus	000	-	255	0% -> 100%
	Iris	000	-	255	0% -> 100%
	PrismSelect	000	-	255	Prism selection
	Prism 1	000	-	255	Prism 1 position/rotation
	Prism 2	000	-	255	Prism 2 position/rotation
	Frost	000	-	255	0% -> 100%
	P/T Macro	000	-	255	Pan/Tilt Macro
	P/T Speed	000	-	255	Pan/Tilt Macro Speed

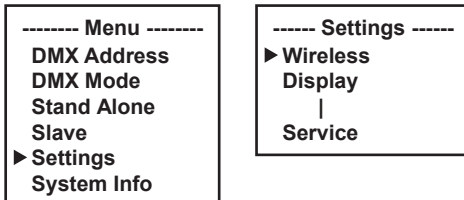
SLAVE MODE

Starting from the main display, press MENU to enter the main menu. Use ▲ or ▼ to select the menu item **Slave** and confirm with ENTER. Connect the slave and master unit (same model, same software version) using a DMX cable, and activate a stand alone mode on the master unit. The slave unit will now follow the master unit. Alternatively, the control signal can be transmitted via W-DMX (iDMX stick optionally available).



SYSTEM SETTINGS (Settings)

Starting from the main display, press MENU to enter the main menu. Using ▲ and ▼, select the menu item **Settings** and confirm with ENTER.



This will take you to the submenu for setting the submenu items (see table, select with ▲ and ▼, confirm with ENTER, change value or status with ▲ and ▼, confirm with ENTER).

Settings (Bold = Factory Settings)				
Wireless	Wireless settings (iDMX stick optional)	iDMX State	Off	Wireless control disabled
			On	Wireless control enabled
	Signal routing	To XLR	Signal -> DMX OUT	
		Backup by XLR	Backup via DMX IN with W-DMX signal interruption	
	Receive only	W-DMX reception only		

Display	Display settings	Display Reverse	Off	No display rotation
			On	Display is rotated by 180° (e.g. for overhead installation)
		Display Off Timer	Always On	On permanently
			Off after 20 s	Deactivates after approximately 20 seconds of inactivity
		Autolock	Off	Autolock function disabled
			On	Operating elements LOCKED after approx. 30 seconds without input. Unlock: Around Press MENU for 3 seconds.
		Dimmer	Dimmer settings	Dimmer Curve
Exponential	Light intensity can be finely adjusted at lower DMX values and broadly adjusted at higher DMX values			
Logarithmic	Light intensity can be broadly adjusted at lower DMX values and finely adjusted at higher DMX values			
S-curve	Light intensity can be finely adjusted at lower and higher DMX values and broadly adjusted at medium DMX values			
Dimmer Response	LED			Lamp responds abruptly to changes in DMX value
	Halogen			The spotlight behaves like a halogen spotlight with slight brightness changes
PWM Frequency	650 Hz , 1530 Hz, 3600 Hz, 12 kHz, 18.9 kHz, 25 kHz			Select LED PWM frequency
Movement	Adjust head movements	Pan Reverse	Off	Does not reverse pan direction
			On	Reverses pan direction
		Tilt Reverse	Off	Does not reverse tilt direction
			On	Reverses tilt direction
		Pan Angle	540°	Pan angle 540°
			630°	Pan angle 630°
		Position Feedback	Off	Automatic position correction is disabled
			On	Automatic position correction is enabled
		Move in Black	Off	No blackout during head movement
			On	Blackout during head movement
Silent Movement	Off	Function disabled		
	On	Slow motor movements for quieter operation		

Wheels	Adjust the gobo wheels and colour wheel	Gobo Wheel	Position	Clockwise	Gobo wheel always turns clockwise
				Shortest way	Gobo wheel turns the shortest distance
			Move-ment	Snap	Gobo wheel jumps directly back to the desired gobo when the relevant value is reached
				Scroll	Continuous rotation of the gobo wheels
		Colour Wheel	Position	Clockwise	Colour wheel always turns clockwise
				Shortest way	Colour wheel turns the shortest distance
			Move-ment	Snap	Colour wheel jumps directly back to the desired colour filter when the relevant value is reached
				Scroll	Continuous rotation of the colour wheels
		Move in Black	Off	No blackout in the event of value changes in the colour and gobo wheels	
			On	Blackout in the event of value changes in the colour and gobo wheels	
Fan Set	Fan settings	Auto	Automatic fan control		
		Fan Off	Deactivated fan with greatly reduced brightness		
		Constant Low	Constantly low fan speed with reduced brightness, if necessary		
		Constant Mid	Constant average fan speed with reduced brightness, if necessary		
		Constant High	Constant high fan speed		
Signal Fail	Operating status when DMX signal fault occurs	Hold	Last command is retained		
		Blackout	Activates blackout		
		Fade Out 10 s	10-second fade to blackout		
		User Preset 1	User Preset 1 is activated		

Service	Reset settings	Store Default	User default A	Save user settings A
			User default B	Save user settings B
			User default C	Save user settings C
		Load Default	Factory Default	Reset to factory settings: Perform reset with ENTER, cancel with MENU
			User default A	Reset to User A: Perform reset with ENTER, cancel with MENU
			User default B	Reset to User B: Perform reset with ENTER, cancel with MENU
			User default C	Reset to User C: Perform reset with ENTER, cancel with MENU
		Reset	Pan/Tilt	Reset pan and tilt motors
			Head	Reset all motors in the spotlight head
	All functions		Resets all motors	
	Password	For service purposes only		

SYSTEM INFORMATION (System Info)

Starting from the main display, press MODE to enter the main menu. Now use ▲ or ▼ to select the menu item **System Info** and confirm with ENTER.

----- Menu -----
DMX Address
DMX Mode
Stand Alone
Slave
Settings
▶ System Info

---- System Info ----
▶ Firmware
Sensor
Operation Hours
Errors

This will take you to the submenu for accessing the system information (see table, selection with ▲ or ▼, confirm with ENTER, change status with ▲ and ▼, confirm with ENTER).

Info		
Firmware	1U	V1.x.x
	2U	V1.x.x
	3U	V1.x.x
	4U	V1.x.x
	5U	V1.x.x
	6U	V1.x.x

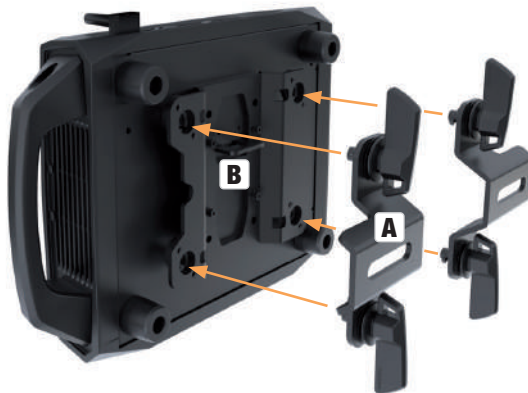
Sensor	Temperature	LED	xx°C / xx°F
		Base	xx°C / xx°F
	Temperature unit	°C	degrees Celsius
		°F	degrees Fahrenheit
	Fan Speed	LED	Fan revolutions LED xxxxRPM
		Motor	Fan revolutions motors xxxxRPM
Base		Fan revolutions device base xxxxRPM	
Operation Hours	Operation Time	xxxx:xx h	Total operating time
	LED Time	xxxx:xx h	LED unit operating time
Errors	Error display in case of malfunction		

SETUP AND INSTALLATION



HAZARD: Overhead mounting requires extensive experience, including the calculation of the load limit values of the installation material and regular safety inspection of all installation materials and spotlights. If you do not have these qualifications, do not attempt to perform an installation yourself. Refer instead to a qualified professional. There is a risk that devices that are incorrectly mounted and secured may come loose and fall down. This can cause serious injury or death.

Thanks to its integrated rubber feet, the lamp can be positioned in a suitable location on a level surface. Traverse installation can be achieved with the help of two Omega brackets, which are attached to the base of the device (A). 2 x Omega brackets are included. Suitable beam clamps are available as an option. Ensure firm connections and secure the spotlight to the securing lug (B) with a suitable safety cable.



- image similar -

CARE, MAINTENANCE AND REPAIR

In order to ensure the long-term, proper functioning of the device, it must be regularly cleaned and, if necessary, maintained. The maintenance requirement depends on the intensity of use and the environment in which it is used.

We generally recommend a visual inspection before each operation. Furthermore, we recommend carrying out all the applicable maintenance measures specified below once every 500 operating hours or, in the case of a lower intensity of use, at the latest after one year. Warranty claims may be limited in the event of defects resulting from inadequate maintenance.

CARE (carried out by user)



WARNING! Before carrying out any maintenance work, the power supply and, if possible, all device connections must be unplugged.



PLEASE NOTE! Improper care can lead to impairment of the device or even destruction.

1. Housing surfaces must be cleaned with a clean, damp cloth. Make sure that no moisture can penetrate the device.
2. Air inlets and outlets must be regularly cleaned of dust and dirt. If compressed air is used, make sure that damage to the device is prevented (e.g. fans must be blocked in this case).
3. Lines and plug contacts must be cleaned regularly and dust and dirt must be removed.
4. In general, no cleaning agents or abrasive agents may be used, otherwise the surface finish may be damaged.
5. Devices must generally be stored dry and protected from dust and dirt.

MAINTENANCE AND REPAIR (by qualified personnel only)



HAZARD! There are live components in the device. Even after disconnecting the mains connection, there may still be residual voltage in the device, e.g. due to charged capacitors.



PLEASE NOTE! There are no user-serviceable components in the device.



PLEASE NOTE! Maintenance and repair work may only be carried out by qualified specialist personnel authorised by the manufacturer. If in doubt, consult the manufacturer.



PLEASE NOTE! Improperly performed maintenance work may affect warranty claims.

DIMENSIONS (mm)

ENGLISH

DEUTSCH

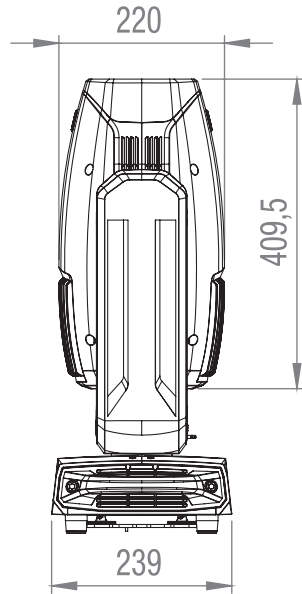
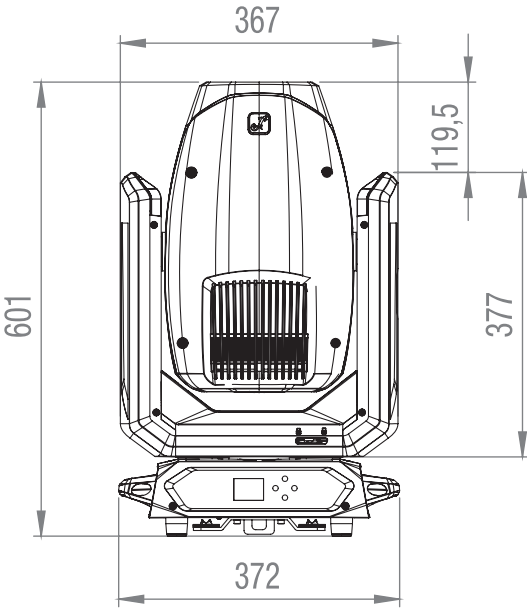
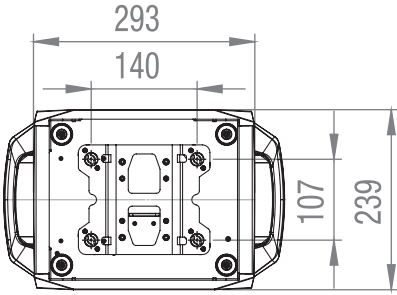
FRANCAIS

ESPAÑOL

POLSKI

ITALIANO

DMX



TECHNICAL DATA

PRODUCT NUMBER:	GLAZORS2
Product type:	LED moving light
Type:	Spot
LED colour spectrum:	Cool white 6800 K
Number of LEDs:	1
LED type:	300 W
Beam angle (half-peak divergence):	5° – 50°
Colour mixing system:	CMY
Number of colours:	8 + open and continuously variable colour wheel positioning
Number of gobos:	11 fixed + 8 rotatable & indexable + open
PWM frequency:	650 Hz; 1530 Hz; 3600 Hz; 12 kHz; 18.9 kHz; 25 kHz
DMX input:	5-pin male XLR
DMX output:	5-pin female XLR
DMX mode:	21-CH Basic, 24-CH Standard, 28-CH Extended
DMX functions:	Pan/Tilt, Pan/Tilt fine, Dimmer, Dimmer fine, Strobe, Cyan, Magenta, Yellow, Colour Wheel, Gobo Wheel 1, Gobo Wheel 1 Rotation, Gobo Wheel 1 Rotation fine, Gobo Wheel 2, Zoom, Zoom fine, Focus, Focus fine, Iris, Prisma Selection, Prisma 1, Prisma 2, Frost, Device Settings
Standalone functions:	User Preset 1–4, master/slave mode
Control:	DMX512, RDM, iDMX stick compatible
Pan angle:	540°/630°
Tilt angle:	270°
Operating controls:	MENU, ENTER, arrow up, arrow down
Display elements:	OLED display
Operating voltage:	100–240 V AC/50–60 Hz
Power consumption:	470 W
Luminous flux:	13 000 lm
Power supply connection:	True1 compatible input and output (max. output current 12 A)
Max. Output	9A
Fuse:	T4 AL 250 V (5 x 20 mm)
Ambient temperature (in operation):	0°C to 40°C
Relative air humidity:	< 85%, non-condensing

ENGLISH

DEUTSCH

FRANCAIS

ESPAÑOL

POLSKI

ITALIANO

DMX

PRODUCT NUMBER: CLAZORS2

Minimum distance to illuminated surface:

3 m

Minimum distance to normally flammable materials:

0.5 m

Housing material:

Metal, ABS

Housing colour:

Black

IP protection class:

IP20

Housing cooling:

Temperature-controlled fan

Dimensions (W x H x D, without bracket):

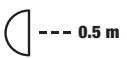
372 x 601 x 238 mm

Weight:

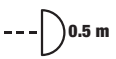
19.7 kg

Additional features:

1 m power cable with True1 compatible plug and 2 x Omega mounting brackets included with the appliance

MINIMUM DISTANCE TO ILLUMINATED SURFACE

This symbol with distance specification in metres (m) indicates the minimum distance between the light head and the illuminated surface. In this example, the distance is 0.5 m. The value applicable for this unit can be found in the technical data in this manual and the imprint on the unit housing!

MINIMUM DISTANCE TO NORMALLY FLAMMABLE MATERIALS

This symbol with distance specification in metres (m) indicates the minimum distance between the light head and normally flammable materials. In this example, the distance is 0.5 m. The value applicable for this unit can be found in the technical data in this manual!

DISPOSAL



Packaging:

1. Packaging can be fed into the reusable material cycle using the usual disposal methods.
2. Please separate the packaging in accordance with the disposal laws and recycling regulations in your country.



Device:

1. This device is subject to the European Directive on Waste Electrical and Electronic Equipment, as amended. WEEE Directive Waste Electrical and Electronic Equipment. Old appliances do not belong in household waste. The old device must be disposed of via an approved disposal company or a municipal disposal facility. Please observe the applicable regulations in your country!
2. Observe all disposal laws and regulations applicable in your country.
3. As a private customer, you can obtain information on environmentally-friendly disposal options from the seller of the product or the appropriate regional authorities.

MANUFACTURER'S DECLARATIONS

MANUFACTURER'S WARRANTY & LIMITATION OF LIABILITY

Adam Hall GmbH, Adam-Hall-Str. 1, 61267 Neu Anspach, Germany / E-mail Info@adamhall.com / +49 (0)6081 / 9419-0.

Our current warranty conditions and limitation of liability can be found at:

https://cdn-shop.adamhall.com/media/pdf/Manufacturers-Declarations-CAMEO_DE_EN_ES_FR.pdf

Contact your distribution partner for service.

CE CONFORMITY

Adam Hall GmbH hereby confirm that this product meets the following guidelines (where applicable)

:

Low-Voltage Directive (2014/35/EU)

EMC Directive (2014/30/EU)

RoHS (2011/65/EU)

RED (2014/53/EU)

EC DECLARATION OF CONFORMITY

Declarations of conformity for products subject to the LVD, EMC, RoHS Directive can be requested from info@adamhall.com.

Declarations of conformity for products subject to RED can be downloaded from www.adamhall.com/compliance/.

SUBJECT TO MISPRINTS AND ERRORS, AS WELL AS TECHNICAL OR OTHER MODIFICATIONS!

DMX CONTROL / DMX STEUERUNG / PILOTAGE DMX / CONTROL DMX / STEROWANIE DMX / CONTROLLO DMX

21CH	24CH	28CH								
Basic	Standard	Extended	Function	Values				Subgroup	Group	
1	1	1	Pan	000	-	255	0% to 100%	Pan	Movement	
2	2	2	Pan fine	000	-	255				
3	3	3	Tilt	000	-	255	0% to 100%	Tilt	Intensity	
4	4	4	Tilt fine	000	-	255				
5	5	5	Dimmer	000	-	255	0% to 100%	Dimmer	Intensity	
	6	6	Dimmer fine	000	-	255				
6	7	7	Strobe Functions	000	-	005	Open	Multi- functional Strobe	Strobe	
				006	-	010	Closed			
				011	-	022	Ramp up/down slow to fast			
				023	-	033	Ramp up/down random slow to fast			
				034	-	045	Ramp up slow to fast			
				046	-	056	Ramp up random slow to fast			
				057	-	068	Ramp down slow to fast			
				069	-	079	Ramp down random slow to fast			
				080	-	102	Random Strobe effect slow to fast			
				103	-	127	Strobe Break effect 5s to 1s (Short burst with break)			
128	-	250	Strobe slow to fast (<1Hz to 20Hz)							
			251	-	255	Open				
7	8	8	Cyan	000	-	255	0% to 100%	Sub- tractive Color Mixing		
		9	Cyan fine	000	-	255				
8	9	10	Magenta	000	-	255				
		11	Magenta fine	000	-	255				
9	10	12	Yellow	000	-	255				
		13	Yellow fine	000	-	255				

ENGLISH

DEUTSCH

FRANCAIS

ESPAÑOL

POLSKI

ITALIANO

DMX

ENGLISH

DEUTSCH

FRANCAIS

ESPAÑOL

POLSKI

ITALIANO

DMX

10	11	14	Colour Wheel	000	-	000	Open	Colour Wheel	
				001	-	020	Open -> Deep Red		
				021	-	021	Deep Red		
				022	-	041	Deep Red -> Medium Blue		
				042	-	042	Medium Blue		
				043	-	062	Medium Blue -> Deep Green		
				063	-	063	Deep Green		
				064	-	083	Deep Green -> Lime		
				084	-	084	Lime		
				085	-	104	Lime -> High CRI		
				105	-	105	High CRI		
				106	-	125	High CRI -> Deep Orange		
				126	-	126	Deep Orange		
				127	-	147	Deep Orange -> CTO 3200K		
				148	-	148	CTO 3200K		
				149	-	168	CTO 3200K -> Congo Blue		
				169	-	169	Congo Blue		
				170	-	189	Congo Blue -> Open		
				190	-	192	Open		
				11	12	15	Gobo Wheel 1		
006	-	021	Open -> Gobo1						
022	-	022	Gobo 1						
023	-	038	Gobo 1 -> Gobo 2						
039	-	039	Gobo 2						
040	-	055	Gobo 2 -> Gobo 3						
056	-	056	Gobo 3						

11	12	15	Gobo Wheel 1	057	-	072	Gobo 3 -> Gobo 4	Rotating Gobowheel	Gobo
				073	-	073	Gobo 4		
				074	-	089	Gobo 4 -> Gobo 5		
				090	-	090	Gobo 5		
				091	-	106	Gobo 5 -> Gobo 6		
				107	-	107	Gobo 6		
				108	-	123	Gobo 6 -> Gobo 7		
				124	-	124	Gobo 7		
				125	-	140	Gobo 7 -> Gobo 8		
				141	-	141	Gobo 8		
				142	-	157	Gobo 8 -> Open		
				158	-	159	Open		
				160	-	162	Gobo Shake 1 (slow -> fast)		
				163	-	165	Gobo Shake 2 (slow -> fast)		
				166	-	168	Gobo Shake 3 (slow -> fast)		
				169	-	171	Gobo Shake 4 (slow -> fast)		
				172	-	174	Gobo Shake 5 (slow -> fast)		
175	-	177	Gobo Shake 6 (slow -> fast)						
178	-	180	Gobo Shake 7 (slow -> fast)						
181	-	183	Gobo Shake 8 (slow -> fast)						
184	-	192	Open						
193	-	223	Gobo Wheel rotation fast -> slow, fwd						
224	-	224	Gobo Wheel rotation Stop						
225	-	255	Gobo Wheel rotation slow -> fast, bwd						
12	13	16	Gobo 1 Rotation	000	-	128	Gobo Position 0° ... 540°		

ENGLISH	12	13	16	Gobo Wheel 1	129	-	191	Gobo Rotation fast to slow	Rotating Gobowheel
					192	-	192	Gobo Rotation Stop	
					193	-	255	Gobo Rotation slow to fast (backwards)	
DEUTSCH		14	17	Gobo 1 Rotation fine	000	-	255	Gobo Rotation fine	
FRANCAIS	13	15	18	Gobo Wheel 2	000	-	005	Open	Static Gobowheel
					006	-	009	Open -> Gobo1	
					010	-	010	Gobo 1	
					011	-	022	Gobo 1 -> Gobo 2	
					023	-	023	Gobo 2	
					024	-	035	Gobo 2 -> Gobo 3	
					036	-	036	Gobo 3	
					037	-	048	Gobo 3 -> Gobo 4	
					049	-	049	Gobo 4	
					050	-	061	Gobo 4 -> Gobo 5	
					062	-	062	Gobo 5	
					063	-	074	Gobo 5 -> Gobo 6	
					075	-	075	Gobo 6	
					076	-	087	Gobo 6 -> Gobo 7	
					088	-	088	Gobo 7	
					089	-	100	Gobo 7 -> Gobo 8	
					101	-	101	Gobo 8	
					102	-	113	Gobo 8 -> Gobo 9	
					114	-	114	Gobo 9	
					115	-	126	Gobo 9 -> Gobo 10	
127	-	127	Gobo 10						
128	-	139	Gobo 10 -> Gobo 11						
140	-	140	Gobo 11						
141	-	152	Gobo 11 -> Open						
153	-	155	Open						
156	-	158	Gobo Shake 1 (slow -> fast)						
159	-	161	Gobo Shake 2 (slow -> fast)						
162	-	164	Gobo Shake 3 (slow -> fast)						
165	-	167	Gobo Shake 4 (slow -> fast)						
ESPANOL									Gobo
POLSKI									
ITALIANO									
DMX									

13	15	18	Gobo Wheel 2	168	-	170	Gobo Shake 5 (slow -> fast)	Static Gobowheel	Gobo
				171	-	173	Gobo Shake 6 (slow -> fast)		
				174	-	176	Gobo Shake 7 (slow -> fast)		
				177	-	179	Gobo Shake 8 (slow -> fast)		
				180	-	182	Gobo Shake 9 (slow -> fast)		
				183	-	185	Gobo Shake 10 (slow -> fast)		
				186	-	188	Gobo Shake 11 (slow -> fast)		
				189	-	192	Open		
				193	-	223	Gobo Wheel rotation fast -> slow, fwd		
				224	-	224	Gobo Wheel rotation Stop		
				225	-	255	Gobo Wheel rotation slow -> fast, bwd		
14	16	19	Zoom	000	-	255	Narrow to Wide	Zoom	
		20	Zoom fine	000	-	255			
15	17	21	Focus	000	-	255	0% to 100%	Focus	
	18	22	Focus fine	000	-	255			
16	19	23	Iris	000	-	191	Open to Close	Iris	Beam
				192	-	200	Pulse slow to fast (with Dim)		
				201	-	209	Pulse slow to fast (without Dim)		
				210	-	218	Pulse Random slow to fast (without Dim)		
				219	-	227	Ramp up slow to fast (with Dim)		
				228	-	236	Ramp up slow to fast (without Dim)		
				237	-	245	Ramp down slow to fast (with Dim)		
				246	-	255	Ramp down slow to fast (without Dim)		

ENGLISH	17	20	24	Prism Selection	000	-	005	Prism Off	Prism	Beam
					006	-	091	Prism 1		
					092	-	175	Prism 2		
					176	-	255	Prism 1 & 2		
DEUTSCH	18	21	25	Prism 1	000	-	128	Prism Position 0° to 540°	Prism	Beam
					129	-	191	Prism Rotation fast to slow		
					192	-	192	Prism Rotation Stop		
					193	-	255	Prism Rotation slow to fast (backwards)		
FRANCAIS	19	22	26	Prism 2	000	-	128	Prism Position 0° to 540°	Prism	Beam
					129	-	191	Prism Rotation fast to slow		
					192	-	192	Prism Rotation Stop		
					193	-	255	Prism Rotation slow to fast (backwards)		
ESPAÑOL	20	23	27	Frost	000	-	255	0% to 100%	Frost	
POLSKI	21	24	28	Device settings (All settings executed are after holding value for 3 seconds) (please read remark 1*)	000	-	005	No function	Blackout	Control
					006	-	007	Blackout while P/T moving On		
					008	-	009	Blackout while P/T moving Off		
					010	-	011	Blackout while Wheels moving On		
					012	-	013	Blackout while Wheels moving Off		
					014	-	024	No function		
					025	-	025	Record User Preset 1	User Colors	
					026	-	026	Record User Preset 2		
					027	-	027	Record User Preset 3		
028	-	028	Record User Preset 4							
ITALIANO										
DMX										

21	24	28	Device settings (All settings executed are after holding value for 3 seconds) (please read remark 1*)	029	-	029	Record User Preset 5	User Colors	Control
				030	-	030	Record User Preset 6		
				031	-	031	Record User Preset 7		
				032	-	032	Record User Preset 8		
				033	-	041	No function	Movement	
				042	-	043	Invert Pan On		
				044	-	045	Invert Pan Off		
				046	-	047	Invert Tilt On		
				048	-	049	Invert Tilt Off		
				050	-	051	Pan Angle 540°		
				052	-	053	Pan Angle 630°	Dimming	
				054	-	073	No function		
				074	-	075	Dimmer Response LED	Dimming	
				076	-	077	Dimmer Response Halogen		
				078	-	093	No function	Noise Functions	
				094	-	095	Silent movement On		
				096	-	097	Silent movement Off		
				098	-	099	Fan Auto		
				100	-	101	Fan Off		
				102	-	103	Fan Constant Low		
				104	-	105	Fan Constant Medium		
				106	-	107	Fan Constant High		
				108	-	119	No function	PWM Frequency	
				120	-	121	PWM 1 (650 Hz)		
				122	-	123	PWM 2 (1530 Hz)		
				124	-	125	PWM 3 (3600 Hz)		
126	-	127	PWM 4 (12000 Hz)						
128	-	129	PWM 5 (18900 Hz)						
130	-	131	PWM 6 (25000 Hz)						
132	-	139	No function						

21	24	28	Device settings (All settings executed after holding value for 3 seconds) (please read remark 1*)	140	-	141	Display Always On	Display Functions	Control
				142	-	143	Display Off after 20s		
				144	-	147	No function		
				148	-	149	Color Wheel Snap	Wheel Movement	
				150	-	151	Color Wheel Scroll		
				152	-	153	Gobo Wheel Snap		
				154	-	155	Gobo Wheel Scroll		
				156	-	157	Gobo Color Correction On	Gobo Color Correction	
				158	-	159	Gobo Color Correction Off		
				160	-	161	Rotating Gobo calibration On	Rotating Gobo Calibration	
				162	-	163	Rotating Gobo calibration Off		
				164	-	165	Dimmer Curve Linear	Dimmer Curve	
				166	-	167	Dimmer Curve Exponential		
				168	-	169	Dimmer Curve Logarithmic		
				170	-	171	Dimmer Curve S-Curve		
				172	-	209	No function		
				210	-	211	Color Wheel Shortest Way	Wheel Positioning	
				212	-	213	Color Wheel Clockwise		
				214	-	215	Gobo Wheel Shortest Way		
				216	-	217	Gobo Wheel Clockwise		
218	-	221	No function						
222	-	223	Reset Pan / Tilt	Reset					
224	-	233	No function						
234	-	235	Reset Head complete						
236	-	237	Reset All						
238	-	239	No function						

21	24	28	Device settings (All settings executed are after holding value for 3 seconds) (please read remark 1*)	240	-	241	Load Factory Defaults (2*)	Load Default	Control
				242	-	243	No function		
				244	-	245	Load User Default A (2*)		
				246	-	247	Load User Default B (2*)		
				248	-	249	Load User Default C (2*)		
				250	-	255	No function		

EN: (1*)	After the adjustments have been made, set the value to 000 to avoid disturbance by endless function call.
EN: (2*)	No effect at all control settings (DMX Address, DMX Mode, Wireless, ...)
DE: (1*)	Nachdem die Einstellungen vorgenommen wurden, stellen Sie den Wert auf 000 ein, um Störungen durch endlosen Funktionsaufruf zu vermeiden.
FR: (1*)	Une fois les ajustements effectués, réglez la valeur sur 000 pour éviter les perturbations par appel de fonction sans fin.
ES: (1*)	Después de realizar los ajustes, establezca el valor en 000 para evitar perturbaciones mediante una llamada de función sin fin.
PL: (1*)	Po dokonaniu ustawień ustaw wartość na 000, aby uniknąć zakłóceń przez niekończące się wywołanie funkcji.
IT: (1*)	Dopo aver effettuato le regolazioni, impostare il valore su 000 per evitare disturbi causati da una chiamata a funzione infinita.

Adam Hall GmbH

Adam-Hall-Str. 1 | 61267 Neu-Anspach | Germany

Phone: +49 6081 9419-0 | adamhall.com

Adam Hall Ltd. | The Seedbed Business Centre | SS3 9QY Essex | United Kingdom

