

G4 TW

TRACKLIGHT WITH TUNABLE WHITE LED



FEATURES

- ▶ Tracklight with 40 W Tunable-White COB-LED
- ▶ Colour temperature: 2,700 K - 6,500 K
- ▶ 560 lm Luminous flux
- ▶ Use on commercially available busbar systems
- ▶ Applications: Museum, retail, gastronomy and many more.
- ▶ Beam angle flexibly adjustable via magnetic filters
- ▶ Optional magnetic filters (CTO, CTB, Honeycomb)
- ▶ FC & TW models compatible with DMX, W-DMX & RDM
- ▶ Selectable pulse width modulation (up to 25 kHz) for flicker-free operation
- ▶ Passive cooling for virtually silent operation



DESCRIPTION

Whether in a museum, a shop or a restaurant - almost identical basic requirements apply to the lighting of commercial areas: professional lighting quality for the natural illumination of rooms, objects and people, high flexibility in application and maximum cost efficiency in permanent use. With the G-series tracklights, Cameo offers lighting and room planners, designers and installation service providers versatile tracklights for use in standard track systems. The discreet and versatile LED luminaires come in four different versions: Neutral White, Tungsten, Tunable White & Full-Colour.

The G4 TW Tracklight is equipped with a 40 Watt Tunable White COB LED that produces a luminous flux of 560 lumens. The colour temperature of the G4 TW can be variably adjusted in the range from 2,700 K to 6,500 K. Magnetic filters allow the 5° beam angle to be flexibly adjusted without the use of tools. Numerous optional interchangeable lenses for narrower and wider beam angles as well as CTO, CTB and honeycomb filters are available. In addition, the G4 TW allows variable adjustment of the PWM frequency up to 25 kHz for flicker-free operation.

The Cameo G-Series Tracklights are designed for use on standard track systems and allow power to be transferred via the track adapter depending on the manufacturer's system used. In this way, the luminaires can be flexibly adapted to changing room designs - from temporary exhibitions in a museum hall to changing store concepts in the retail sector to variable table configurations in gastronomy.

The FC & TW models of the Cameo G-series also feature integrated protocols such as DMX512, W-DMX for wireless control and RDM for convenient configuration and monitoring of the tracklights. Thanks to passive convection cooling, the G4 TW operates almost silently and is also suitable for particularly noise-sensitive environments.

All Cameo G-Series tracklights are available in black and white housing colour.

G4 TW

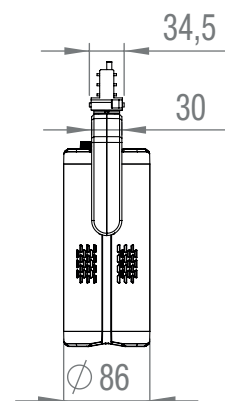
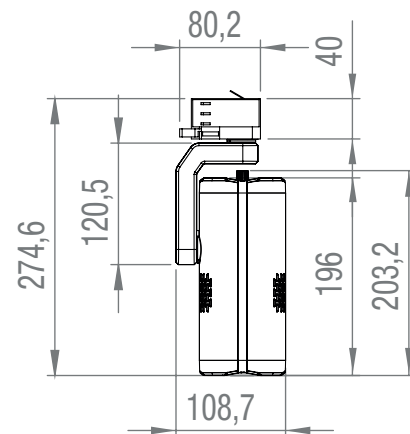
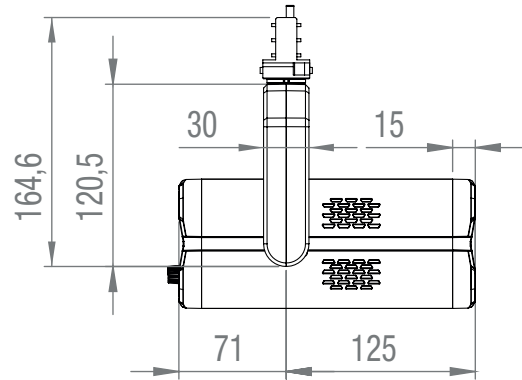
TRACKLIGHT WITH TUNABLE WHITE LED



SPECIFICATIONS

Product type	LED Lighting
Type	Installation spotlights
Colour spectrum	Tunable White
Color temperature	2700 - 6500 K
Number of LEDs	1
LED type	2in1 chip
LED PWM Frequency	800 Hz, 1200 Hz, 2000 Hz, 3600 Hz, 12 kHz, 25 kHz - adjustable
Dispersion	5 °
DMX input	RJ45
DMX output	RJ45
DMX Functions	Colour temperature, Cool White, Device Settings, Dimmer, Dimmer Fine, Strobe, Warm White
Control	DMX512, RDM, W-DMX
Standalone Functions	Static
Controls	External Remote Control, W-DMX Button
RDP (Material Group A)	0.20 @ 2700 K, 0.50 @ 6500 K
RDP (Material Group B)	0.61 @ 2700 K, 0.65 @ 6500 K
Operating voltage	100 V AC - 240 V AC, 50 - 60 Hz
Power consumption	40 W
Luminous flux	560 lm
Colour rendering index (Ra)	>97
Power connector	Rail adapter (selectable phase)
Compatible rails	Global Track
Ambient temperature (operating)	0 - 40 °C
Relative Humidity	< 80 %, not condensing
Cabinet colour	Black
Housing material	Metal
Housing Cooling	Convection
Width	80 mm
Length	195 mm
Weight	1.5 kg
Optional accessories	CTB filter, CTO filter, Honey comb grid, Interchangeable lenses

DIMENSIONS (mm)



Features and specifications
subject to change without notice.

adamhall.com