

H2 FC (WH)

DMX-CONTROLLABLE HOUSE LIGHT
WITH FULL-COLOUR LED



FEATURES

- ▶ 180 W RGBAL LED with 7,400 lm total output
- ▶ Colour temperature adjustable from warm white to cold white
- ▶ Adjustable beam angle from 21 ° to 64 ° using exchangeable lenses
- ▶ Completely silent operation thanks to convection cooling without fans
- ▶ Discrete installation flush with the ceiling possible thanks to optional installation kit
- ▶ Control via DMX and W-DMX™
- ▶ 5-pin XLR and terminal block connectors for simple integration into any environment
- ▶ 16-bit technology for dimming
- ▶ Combines form and function in a minimalistic design
- ▶ Flicker-free operation thanks to selectable PWM frequencies up to 25 kHz
- ▶ Mounting bracket for truss or wall mounting included

DESCRIPTION

Discerning interior designers and lighting engineers particularly appreciate the CAMEO H2 FC house light. Featuring 5-pin XLR and terminal block connectors, this house light can be easily integrated into any hall lighting or stage equipment to discretely fulfil its function in a minimalistic design. Exchangeable lenses allow the beam angle to be adjusted between 21° and 64°. It can also be mounted on trusses, on walls and even on ceilings. The optional installation kit means that it can also be discretely installed flush with the ceiling.

This intelligent house light fully exploits the potential of LED technology to discerningly flood theatres, restaurants, event venues and places of worship with almost any selectable colour temperature of white. Perfectly suited to video recording, this pendant light with a CRI of over 90 has flicker-free operation thanks to selectable PWM frequencies of up to 25 kHz. This allows concerts, theatre performances, conventions and events to be recorded for posterity in high quality. The 16-bit technology enables high colour resolution with smooth, stepless dimming. As well as this, DMX control, or wireless control via W-DMX™, allows especially flexible and refined operation. At the same time, convection cooling with noiseless operation offers outstanding performance properties in compact housing.



Features and specifications
subject to change without notice.

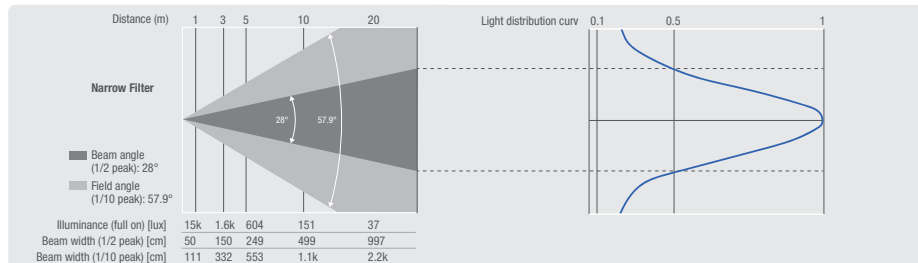
adamhall.com

H2 FC (WH)

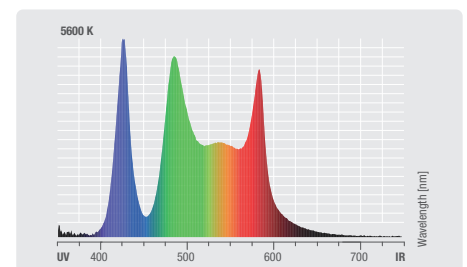
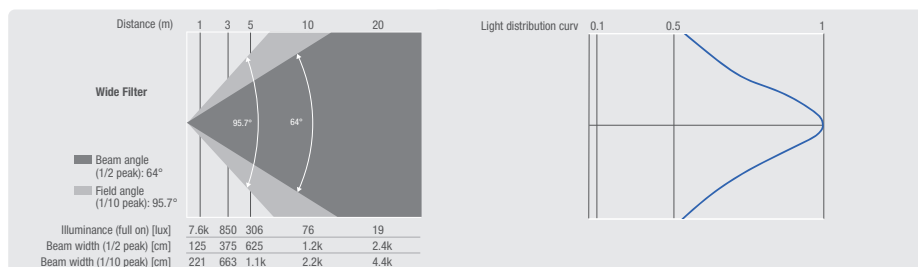
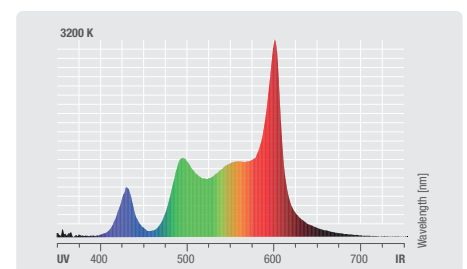
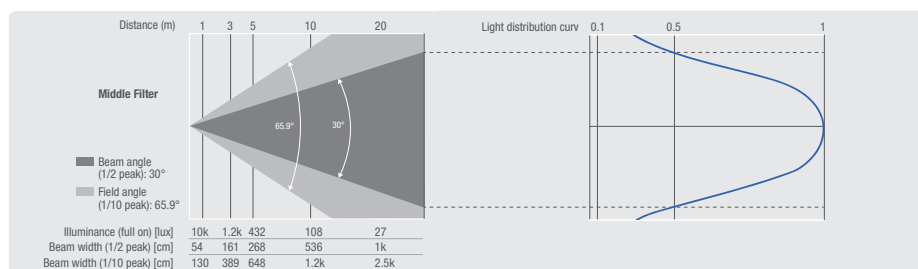
DMX-CONTROLLABLE HOUSE LIGHT
WITH FULL-COLOUR LED



PHOTOMETRICAL DATA



	Luminous flux	Chromaticity coordinates	CCT	R _a CRI
Full on	7400 lm		1800-6500	95
Red	900 lm	x 0.696 y 0.298		
Green	1900 lm	x 0.158 y 0.703		
Blue	220 lm	x 0.156 y 0.027		
Amber	1700 lm	x 0.562 y 0.430		
Lime	3000 lm	x 0.411 y 0.550		



SPECIFICATIONS

Product type	Houselight
LED type	RGBAL
Dispersion	Filter 1 - BEAM: 21 - FIELD: 53 °, Filter 2 - BEAM: 30 - FIELD: 44 °, Filter 3 - BEAM: 64 - FIELD: 88 °
Color temperature	1800 - 6500 K, adjustable K
Controls	DMX, Standalone, W-DMX Controller
Luminous flux	7400 lm
DMX In / Out	Phoenix Type Terminal Block Connector, XLR (5-pin)
Power connector	Blue Power Twist, Phoenix Type Terminal Block Connector
Max. output current	6 A
Power consumption	200 W
Operating voltage	100 V AC - 240 V AC, 50 - 60 Hz
Power supply connection	White Power Twist
Fuse	T3AL 250 V
Width	200 mm
Length	380 mm
Weight	8,3 kg

Features and specifications
subject to change without notice.

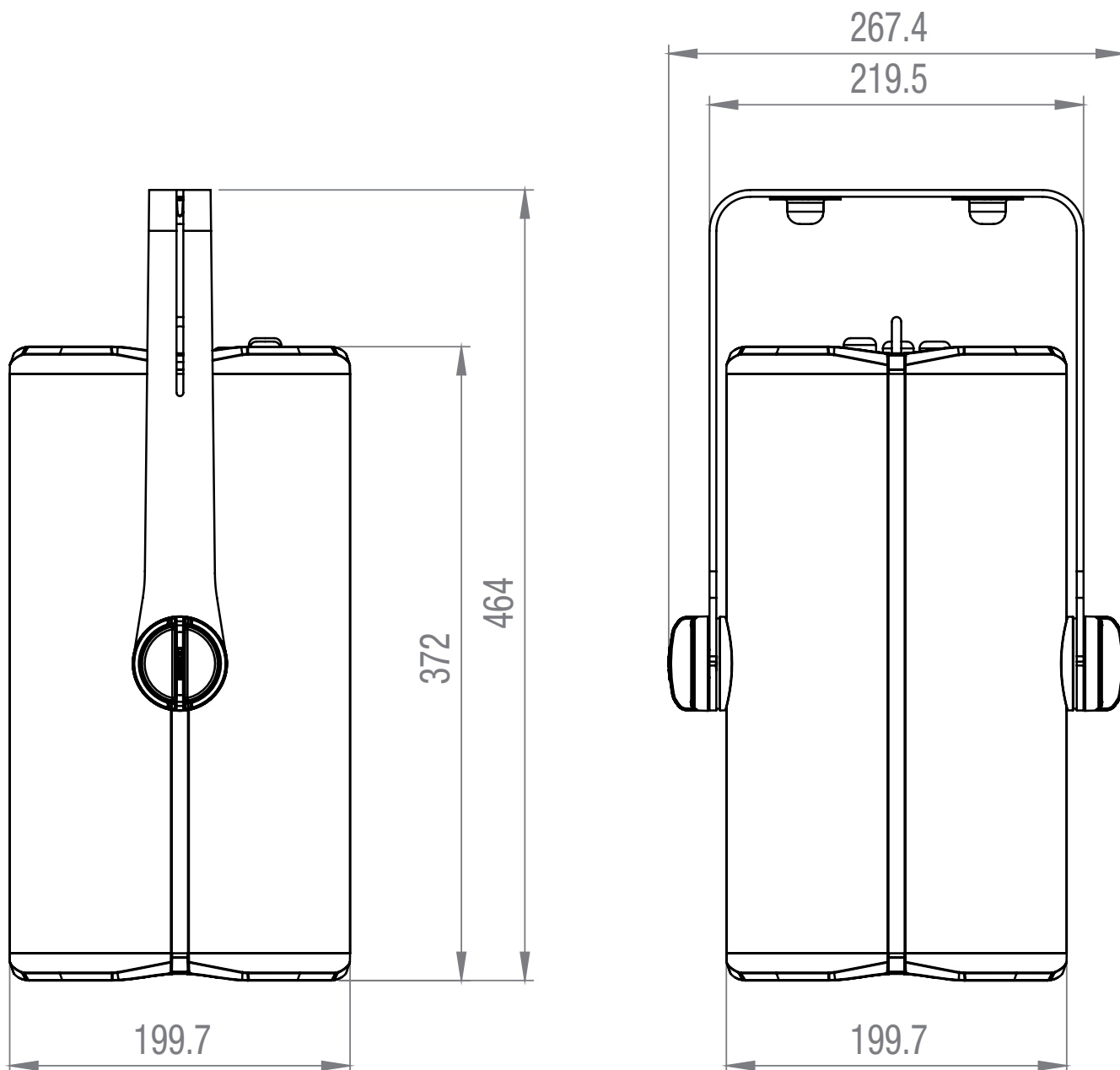
adamhall.com

H2 FC (WH)

DMX-CONTROLLABLE HOUSE LIGHT
WITH FULL-COLOUR LED



DIMENSIONS (mm)



Features and specifications
subject to change without notice.

adamhall.com