

# G4 T WH

TRACKLIGHT WITH TUNGSTEN LED



## FEATURES

- ▶ Tracklight with 25 W Tungsten COB LED
- ▶ Colour temperature: 3,000 K (warm white)
- ▶ 715 lm Luminous flux
- ▶ High CRI (>97Ra) for natural white light reproduction
- ▶ Use on commercially available busbar systems
- ▶ Applications: Museum, retail, gastronomy and many more.
- ▶ Beam angle flexibly adjustable via magnetic filters
- ▶ Optional magnetic filters (CTO, CTB, Honeycomb)
- ▶ Passive cooling for almost silent operation



## DESCRIPTION

Whether in a museum, a shop or a restaurant - almost identical basic requirements apply to the lighting of commercial areas: professional lighting quality for the natural illumination of rooms, objects and people, high flexibility in application and maximum cost efficiency in permanent use. With the G-series tracklights, Cameo offers lighting and room planners, designers and installation service providers versatile tracklights for use in standard track systems. The discreet and versatile LED luminaires are divided into two categories - The discreet and versatile LED luminaires differ in four different variants: Neutral White, Tungsten, Tunable White & Full-Colour.

The G4 T Tracklight is equipped with a 25 Watt Tungsten COB LED that produces a luminous flux of 715 lumens at 3,000 K. With an extremely high CRI value of 97, the G4 T ensures particularly authentic colour rendering. Moreover, the 5° beam angle can be flexibly adjusted via magnetic filters without the use of tools. Numerous optional interchangeable lenses for narrower and wider beam angles as well as CTO, CTB and honeycomb filters are available. In addition, the G4 TW allows variable adjustment of the PWM frequency up to 25 kHz for flicker-free operation.

The Cameo G-Series Tracklights are designed for use on standard track systems and allow power to be transferred via the track adapter depending on the manufacturer's system used. In this way, the luminaires can be flexibly adapted to changing room designs - from temporary exhibitions in a museum hall to changing store concepts in the retail sector to variable table configurations in gastronomy. Thanks to passive convection cooling, the G4 T operates almost silently and is also suitable for particularly noise-sensitive environments.

All Cameo G-Series tracklights are available in black and white housing colour.

# G4 T WH

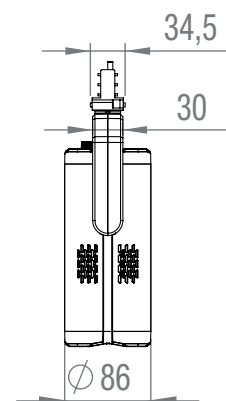
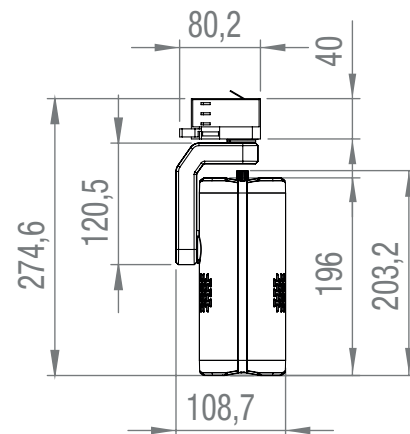
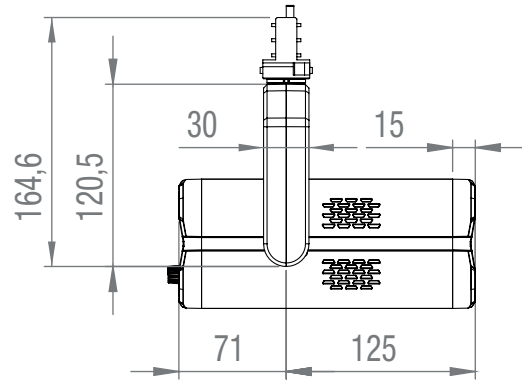
TRACKLIGHT WITH TUNGSTEN LED



## SPECIFICATIONS

Product type	LED Lighting
Type	Installation spotlights
Colour spectrum	Tungsten
Color temperature	3000 K
Number of LEDs	1
LED type	COB LED
Dispersion	5 °
Controls	Encoder wheel
RDP (Material Group A)	0.24 K
RDP (Material Group B)	0.58 K
Operating voltage	100 V AC - 240 V AC, 50 - 60 Hz
Power consumption	25 W
Luminous flux	715 lm
Colour rendering index (Ra)	>97
Power connector	Rail adapter (selectable phase)
Compatible rails	Global Track
Ambient temperature (operating)	0 - 40 °C
Relative Humidity	< 80 %, not condensing
Cabinet colour	White
Housing material	Metal
Housing Cooling	Convection
Width	80 mm
Length	195 mm
Weight	1.3 kg
Optional accessories	CTB filter, CTO filter, Honey comb grid, Interchangeable lenses

## DIMENSIONS (mm)



Features and specifications  
subject to change without notice.

[adamhall.com](http://adamhall.com)