



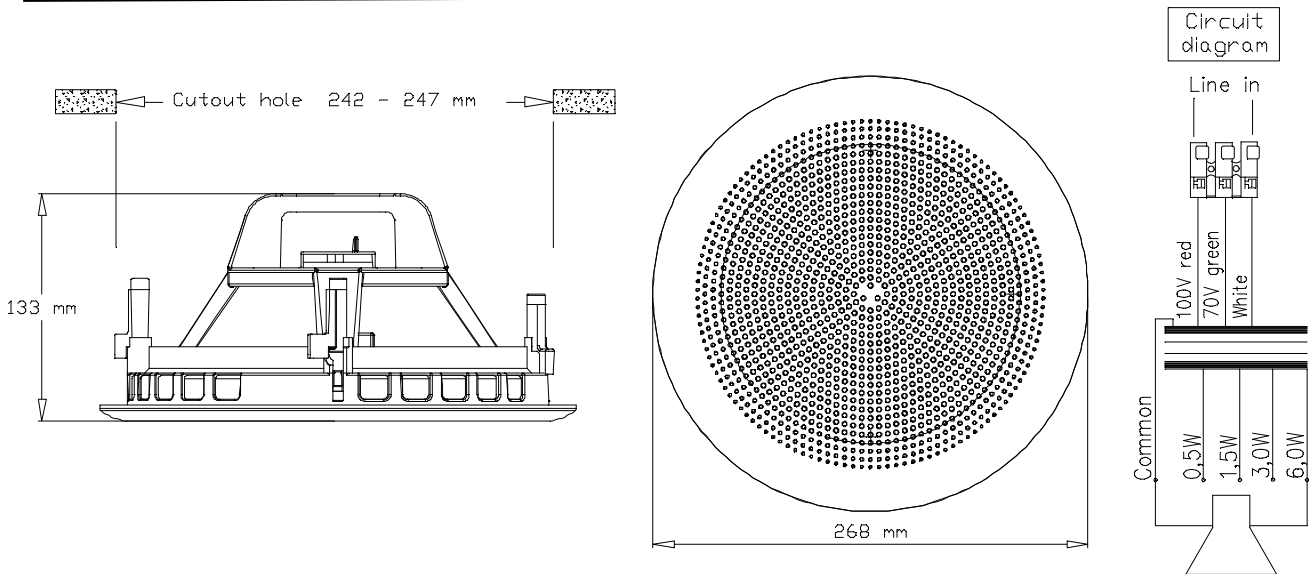
DNH

BP-860(T)

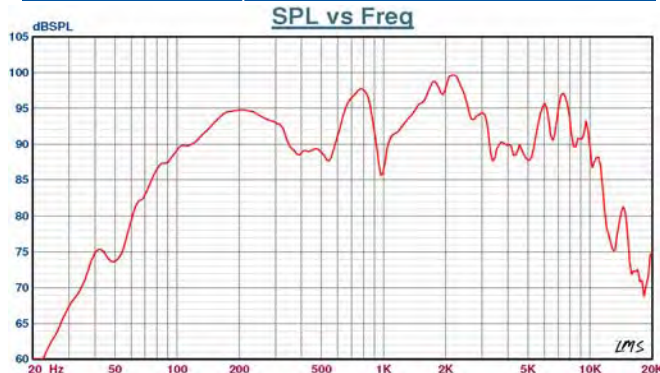
Commercial Audio Solutions Ltd
The Old Barn, Whitecroft Farm
Strines, Derbyshire. SK22 3AH.
Tel: 01663 767888

www.commercialaudiosolutions.com

ISO 9001 CERTIFIED



Sound pressure levels at 1W/1m



Specifications

Material / Color	PA / ABS / RAL9010
Mounting	Hooks
Termination	Spring clamps
Weight	1,2 kg
IP-rating	N/A
Max. / min. amb. temp	90°C / -20°C
Rated / max. power	6 W / 20 W
SPL 1W/1m	93 dB
SPL rated power	100 dB
Effective freq. range	60 – 15000 Hz
Dispersion (-6dB) 1kHz / 4kHz	135° / 80° (baffle)
Options	Impedances, colors, labels

Installation, Operation and Maintenance Procedures

- Install the ring into the cut-out hole turning the screws connected to the four hooks, screw clockwise until the ring is fixed to the ceiling.
- Hooks can be mounted both ways to fit the roof thickness.
- Connect cable to terminal. If 70V, replace red cable with the green cable in the terminal.
- Turn the grill gently clockwise within the ring until it stops.
- For optimum performance, always use the correct voltage / power and operate within the frequency limits as stated.
- Do not open loudspeaker when energized.
- This loudspeaker is supplied with a two years warranty against defective workmanship.

DNH reserves the right to alter specifications without notice

