

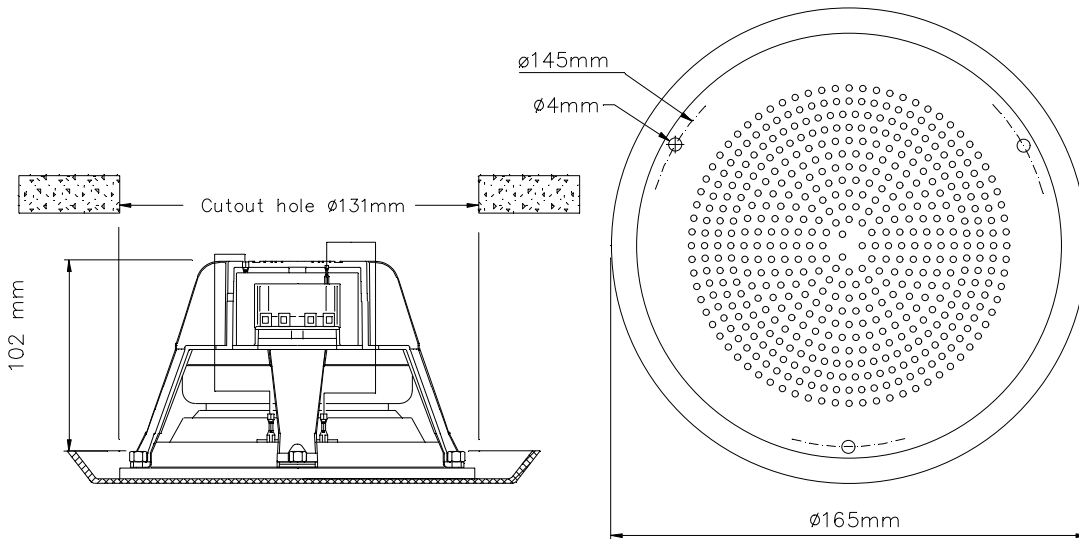


DNH

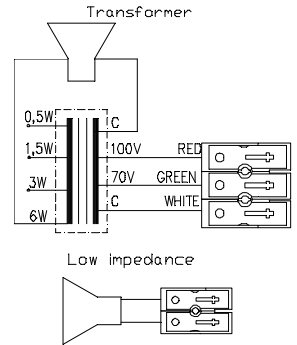
ISO 9001 CERTIFIED

B-560(T)

Commercial Audio Solutions Ltd
The Old Barn, Whitecroft Farm
Strines, Derbyshire. SK22 3AH.
Tel: 01663 767888
www.commercialaudiosolutions.com



CIRCUIT DIAGRAM



70/100 Volt combined transformer	
Primary connections	
White : Green	70 V
White : Red	100 V
Secondary nominal tapings	
C : 6W	6,0 W
C : 3W	3,0 W
C : 1,5W	1,5 W
C : 0,5W	0,5 W

Sound pressure levels at 1W/1m w/P-5/15 T
SPL vs Freq



Specifications

Material / Color	PA V0/Aluminum/RAL9010
Mounting	3 screws
Termination	Spring clamps
Weight w/transformer	0,63 kg
IP-rating	
Max. / min. amb. temp	90°C / -20°C
Rated / max. power	6 W / 15 W
SPL 1W/1m	90 dB
SPL rated power	97 dB
Effective freq. range	130 – 20000 Hz
Dispersion (-6dB) 1kHz / 4kHz	160° / 55° (baffle)
Directivity factor, Q	
Options	Impedances, colors, labels

Installation, Operation and Maintenance Procedures

- Connect to terminal (70V or 100V) and select required tapping into the transformer.
- Fit complete loudspeaker into ceiling by three screws.
- For optimum performance, always use the correct voltage / power and operate within the frequency limits as stated.
- Do not open loudspeaker when energized.
- This loudspeaker is supplied with a two years warranty against defective workmanship.

DNH reserves the right to alter specifications without notice

