



DNH

VEP-6(T)

Commercial Audio Solutions Ltd

The Old Barn, Whitecroft Farm

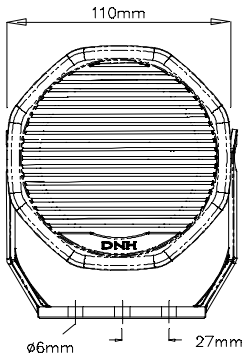
Strines, Derbyshire. SK22 3AH.

Tel: 01663 767888

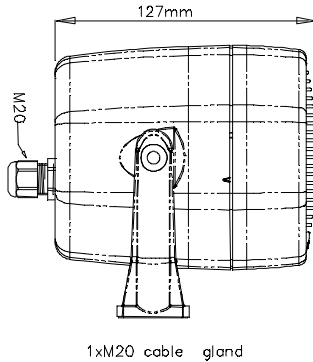
Email: sales@commercialaudiosolutions.com

www.commercialaudiosolutions.com

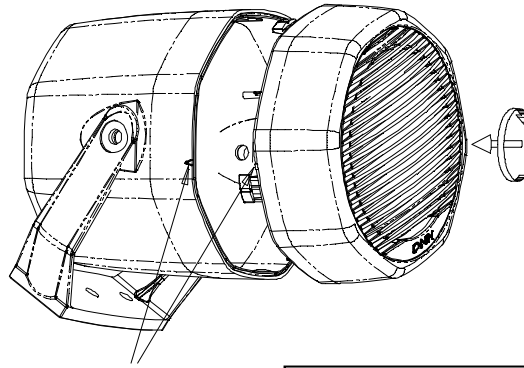
ISO 9001 CERTIFIED



All outside nuts and screws in stainless steel.

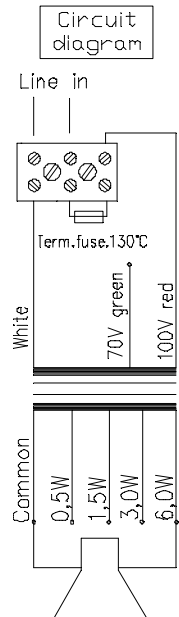


1xM20 cable gland



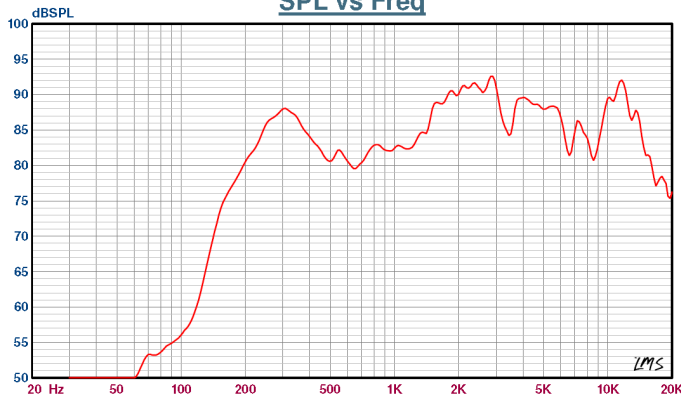
Alignment marks

Acc. British Standard 5839



Sound pressure levels at 1W/1m

SPL vs Freq



Specifications

Material / Color	ABS / RAL 7035
Mounting	Polyamide Bracket
Termination	Screw terminal
Weight	0,7 kg
IP-rating	44
Max. / min. amb. temp	90°C / -40°C
Standard version	70 V / 100 V transformer
Rated power	6W
SPL 1W/1m	87 dB
SPL rated power	94 dB
Effective freq. range	170 – 20000 Hz
Dispersion (-6dB) 1kHz / 4kHz	N/A
Options	Impedances, colors, labels

Installation, Operation and Maintenance Procedures

- Fasten bracket with minimum 2 screws.
- To open the loudspeaker, turn the front gently counterclockwise and pull.
- Lead cable through cable gland and connect to terminal.
- If 70V, replace red cable with the green cable in the terminal.
- To close the loudspeaker, align the two marks on the front and rear parts and turn the front gently clockwise.
- For optimum performance, always use the correct voltage / power and operate within the frequency limits as stated.
- Do not open loudspeaker when energized.
- This loudspeaker is supplied with two years warranty against defective workmanship.

DNH reserves the right to alter specifications without notice.

