

MQ 50C

TWO-WAY CEILING SPEAKER

DESCRIPTION

Compact design, light weight and limited depth makes the MQ 50C a 2-way ceiling speakers ideal for use in any background and foreground music system where a good sound is required. The woofer is a high-excursion, PP coated paper cone with rubber surround design mounted in a tuned enclosure. The fabric dome tweeter is loaded on a constant Q wave guide to provide natural and smooth sound reproduction on a wide dispersion angle. Installation of MQ 50C is fast and efficient thanks to the built-in rotating hooks. No additional brackets or rings or other supports are required: thanks to its lightweight construction the speaker can be mounted as a conventional ceiling speakers. Connections are made on four poles Euroblock connector. Power value can be selected with a rotary switch, accessible behind the grill.



FEATURES

- 5" woofer with 1" dome tweeter
- Power selectable (100 V): 30 W – 20 W – 10 W – 5 W
- 91 dB sensitivity
- Colour white RAL 9016 and black RAL 9005
- Self-extinguishing plastic frame and back can, steel grille
- In/out euroblock connectors

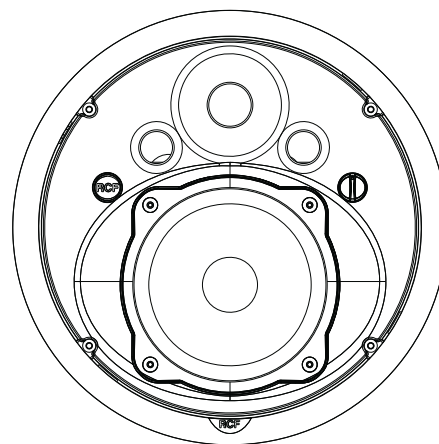
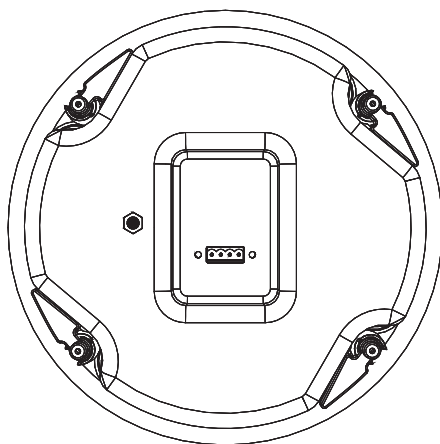
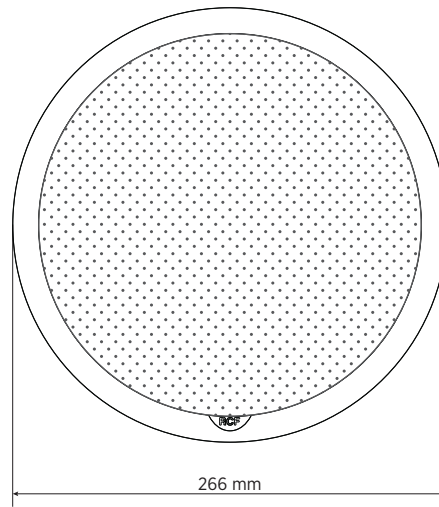
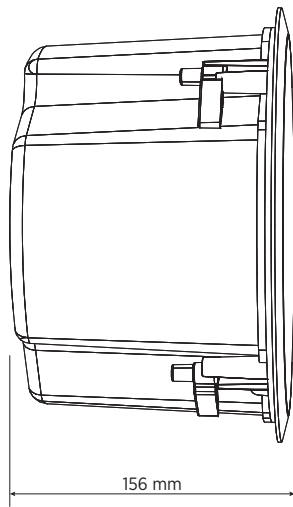
TECHNICAL SPECIFICATIONS

| | | |
|----------------------------------|-------------------------------|------------------------------------|
| Acoustical specifications | Frequency Response (-10dB): | 70 Hz ÷ 20000 Hz |
| | Max SPL @ 1m: | 112 dB |
| | Coverage angle: | 120° |
| | System Sensitivity: | 91 dB |
| Power section | Nominal Impedance: | 16 ohm |
| | Power Handling: | 60 W RMS |
| | Peak Power Handling: | 240 W PEAK |
| | Recommended Amplifier: | 120 W |
| | Crossover Frequencies: | 3000 Hz |
| Transducers | Dome Tweeter: | 1.0" neo |
| | Woofers: | 5.0" neo |
| Input/Output section | Input connectors: | Euroblock |
| | Output connectors: | Euroblock |
| | Constant Voltage Transformer: | 100 V |
| | Power selection 1: | 30 W - 333 ohm |
| | Power selection 2: | 20 W - 500 ohm |
| | Power selection 3: | 10 W - 1000 ohm |
| Power selection 4: | 5 W - 2000 ohm | |
| Standard compliance | CE marking: | Yes |
| Physical specifications | Cabinet/Case Material: | Plastic |
| | Grille: | Steel |
| | Color: | White - RAL 9016, Black - RAL 9005 |
| Size | Depth: | 156 mm / 6.14 inches |
| | Diameter: | 266 mm / 10.47 inches |
| | Cut out diameter: | 245 mm / 9.65 inches |
| | Weight: | 2.1 kg / 4.63 lbs |
| Shipping informations | Package Height: | 235 mm / 9.25 inches |
| | Package Width: | 310 mm / 12.2 inches |
| | Package Depth: | 310 mm / 12.2 inches |
| | Package Weight: | 2.99 kg / 6.59 lbs |

PART NUMBER

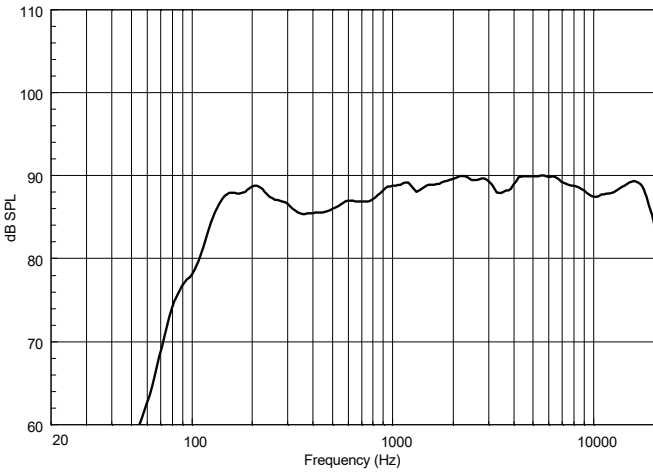
- | | |
|-------------------|-------------------|
| • 13100089 | • 13000081 |
| MQ 50C B | MQ 50C W |
| Black - RAL 9005 | White - RAL 9016 |
| EAN 8024530018481 | EAN 8024530005368 |

DRAWINGS

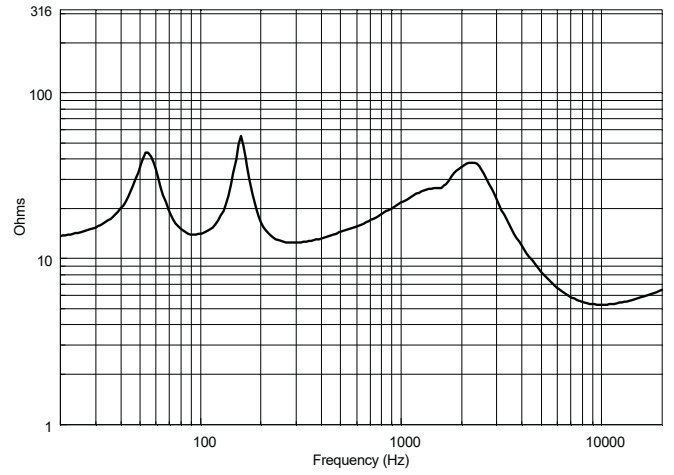




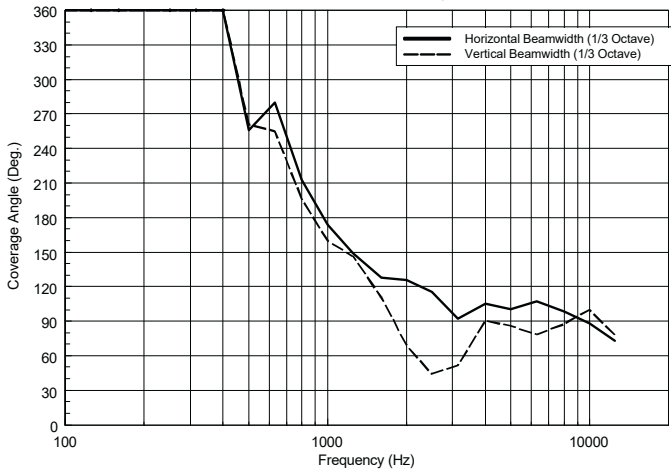
Response 1W/1m



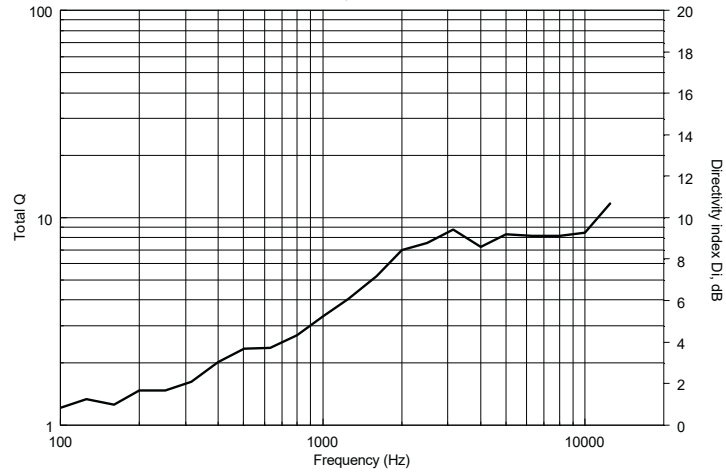
Impedance



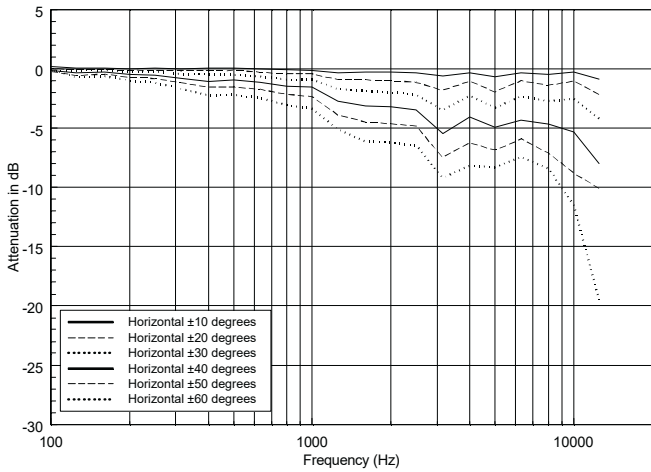
Beamwidth vs. Frequency



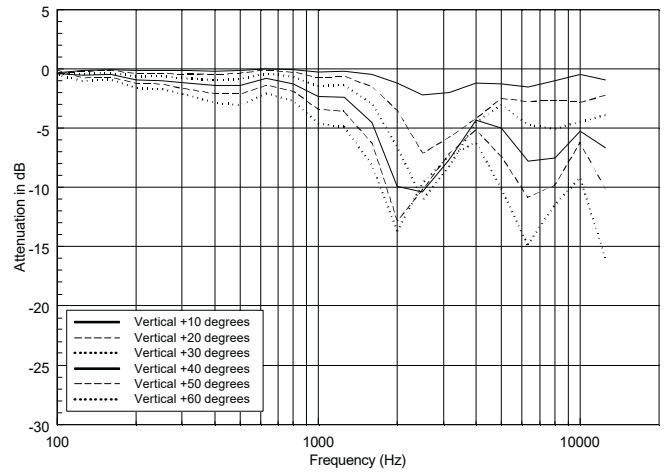
Directivity Index and Q



Normalized Horizontal off-axis Response



Normalized Vertical off-axis Response. Above the box



A&E SPECIFICATIONS

The product shall be a two-way flush-mounting ceiling speaker with backcan suitable for a wide range of applications. It shall be elegant and compact with accurate finishing, suitable for almost any environment, even with architectural constraints.

It shall be light and with limited depth, ideal for use in any background and foreground music system where a good sound is required.

Its woofer shall be a high excursion polypropylene coated paper cone with rubber surround design mounted in a tuned enclosure. Its fabric dome tweeter shall be loaded on a constant Q wave guide to provide natural and smooth sound reproduction on a wide dispersion angle.

Its installation shall be fast and simple thanks to the built-in rotating hooks. No additional brackets or rings or other supports shall be required. Thanks to its lightweight construction, it can be mounted as conventional ceiling speakers.

The connection shall be simple and safe thanks to a removable four-pole Euroblock connector.

Power value selection shall be made with a rotary switch, accessible behind the front grille.

It shall include an internal transformer that allows the connection to 70 / 100 V constant voltage lines.
