

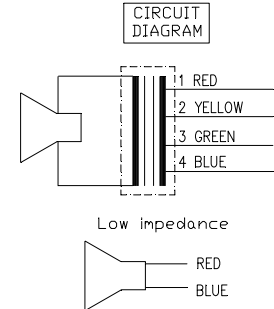
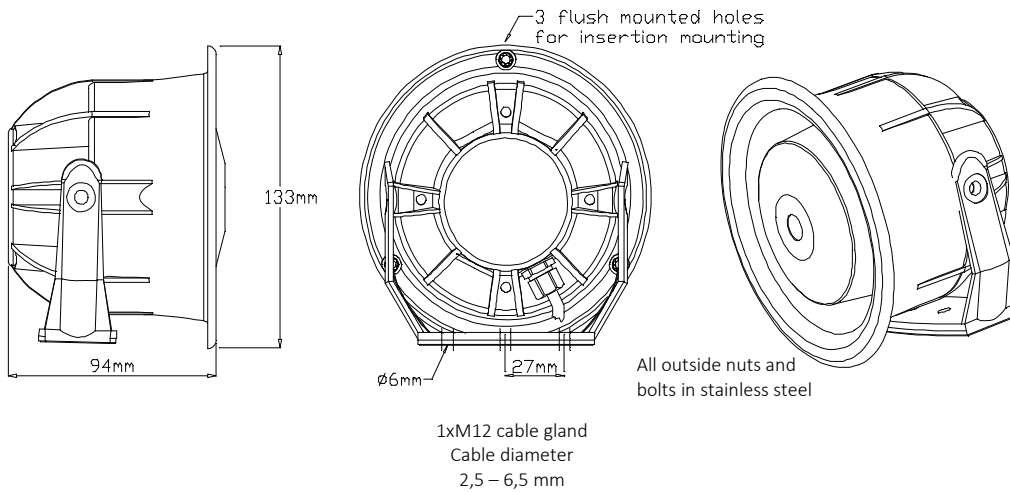


# DNH

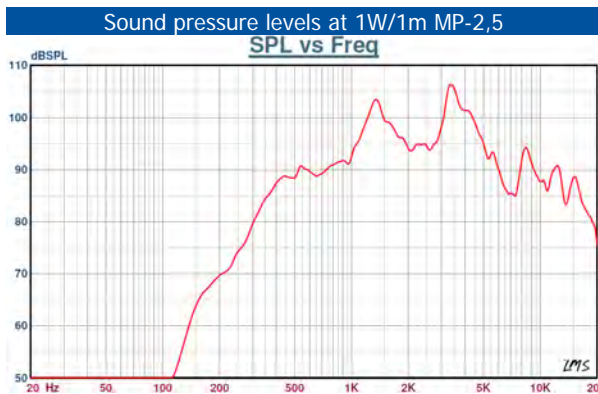
ISO 9001 CERTIFIED

## HP-8(T)

Commercial Audio Solutions Ltd  
 The Old Barn, Whitecroft Farm  
 Strines, Derbyshire. SK22 3AH.  
 Tel: 01663 767888  
 Email: sales@commercialaudiosolutions.com  
 Web: www.commercialaudiosolutions.com



100V transformer Primary nominal tappings		
Red	Yellow	8,0 W
Yellow	Green	4,0 W
Green	Blue	2,0 W
Red	Green	1,5 W
Yellow	Blue	0,7 W
Red	Blue	0,4 W



Specifications	
Material / Color	Polyamide / RAL 7035
Mounting	Bracket or insertion
Termination	0,5 m cable
Weight w/transformer	0,66 Kg
IP-rating	67
Max. / min. amb. temp	110°C / -40°C
Rated power	8 W
SPL 1W/1m	101 dB
SPL rated power	110 dB
Effective freq. range	300 – 20000 Hz
Dispersion (-6dB) 1kHz / 4kHz	132° / 52°
Options	Impedance, colors, labels

### Installation, Operation and Maintenance Procedures

- For insertion mounting punch three screws through knockout holes.
- Fasten bracket with 2-3 screws.
- The cable should be terminated in a suitable junction box.
- To change the position of the loudspeaker, please adjust the bracket (by loosening / tightening the screws) as required.
- For optimum performance, always use the correct voltage / power and operate within the frequency limits as stated.
- This loudspeaker is supplied with two years warranty against defective workmanship.

DNH reserves the right to alter specifications without notice

