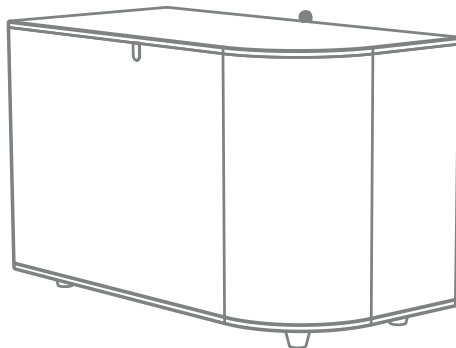


CS-SUB8 **8” Surface Mount Subwoofer**



Installation Guide



CAUTION - Installation

Speaker must be installed by qualified speaker technician.



CAUTION - Servicing

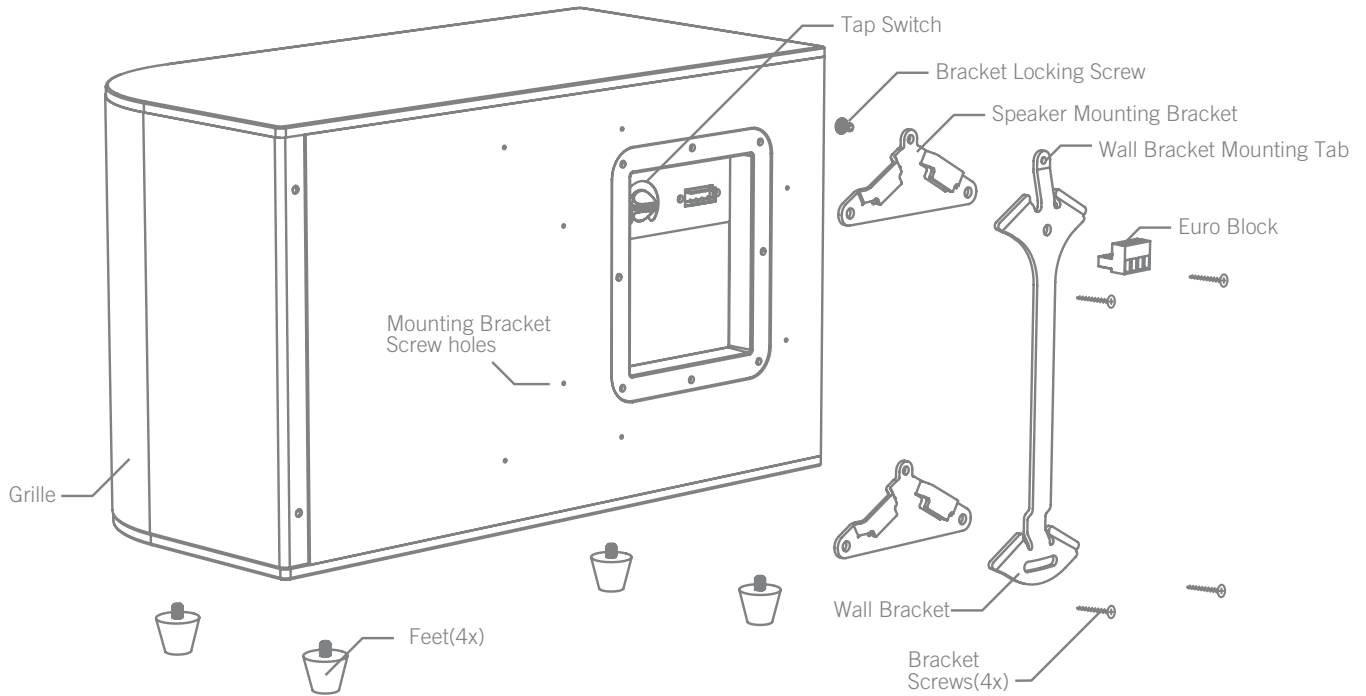
Do not perform servicing unless you are qualified to do so. The unit contains no user-serviceable parts. Refer servicing to qualified personnel.



CAUTION - Tap Switch

Before use check and set tap switch under grille to proper setting for your system.

EXPLODED VIEW

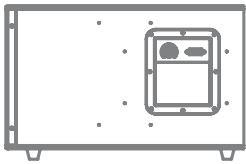


TAP SETTINGS

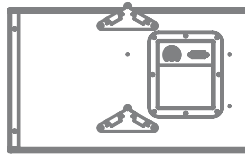
Tap	CS-SUB8		
	100V	70V	25V
1	4 ohm		
2	X	100W	13W
3	100W	50W	7W
4	50W	25W	3W
5	25W	13W	1.5W
6	13W	6W	0.8W

MOUNTING OPTIONS

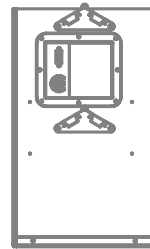
Floor or Shelf



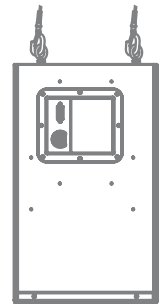
Horizontal Surface mount



Vertical Surface mount



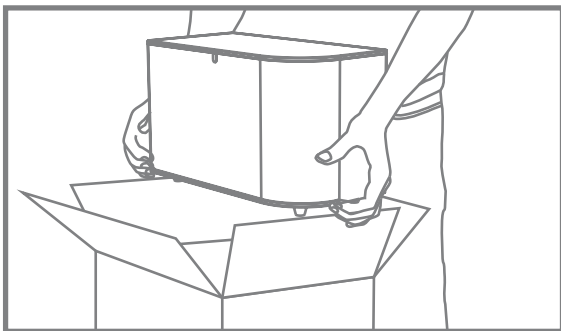
Fly mount



INSTALLATION

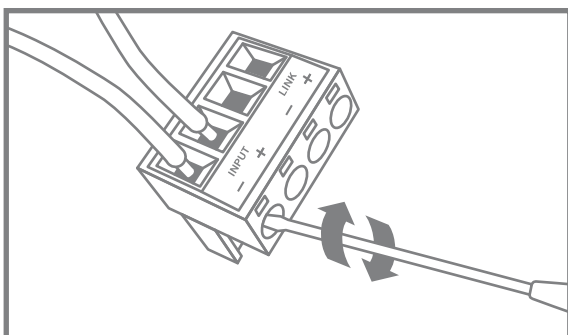
Step 1

Remove speaker from box.



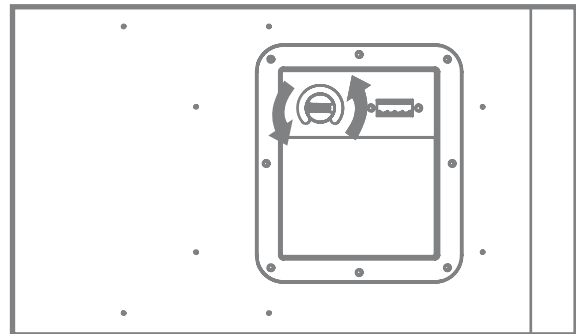
Step 2

Locate euroblock in accessory bag and connect signal wire. For daisy chaining, use "LINK" output to run to next speaker.



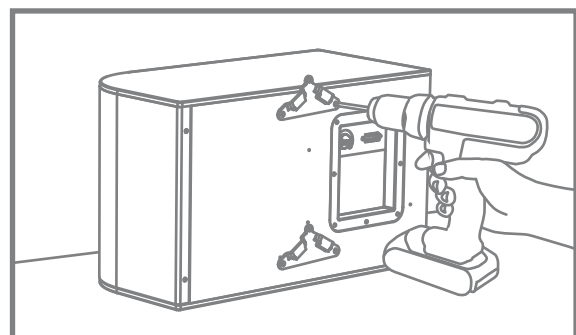
Step 3

Set tap switch to proper setting. Tap switch is preset to highest 100V position.



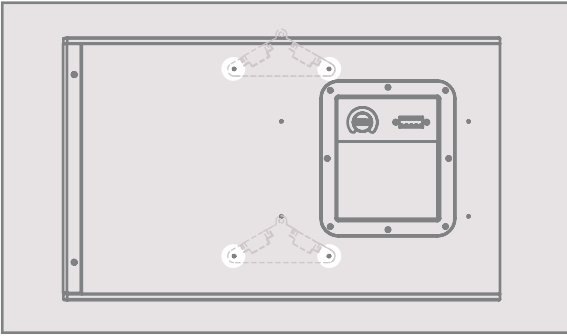
Step 4 - SURFACE MOUNT

Remove rubber feet. Attach speaker mounting bracket to cabinet choosing vertical or horizontal mounting holes with provided screws, **DO NOT OVER-TIGHTEN.**



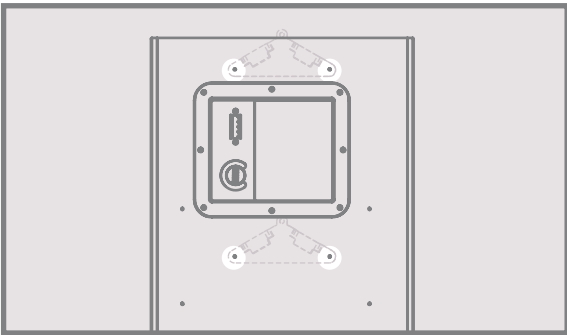
Step 4.1 - Horizontal

Use these hole to attach speaker mounting brackets to cabinet for Horizontal mount.



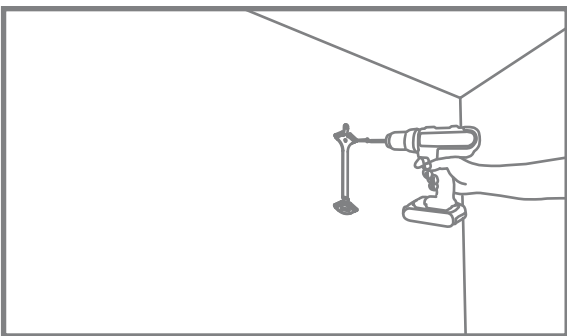
Step 4.1 - Vertical

Use these hole to attach speaker mounting brackets to cabinet for vertical mount.



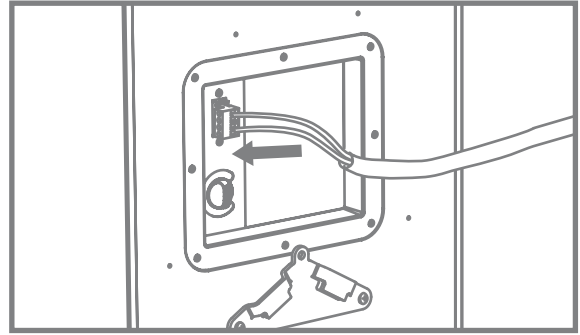
Step 5

Securely attach wall bracket with wall bracket lock tab facing up.



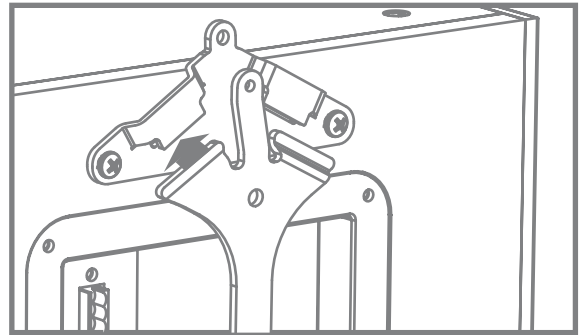
Step 6

Insert euroblock into rear of subwoofer.



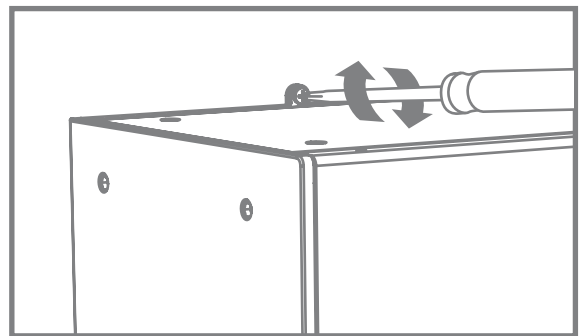
Step 7

Hang subwoofer by inserting tabs of speaker brackets into wall bracket slots.



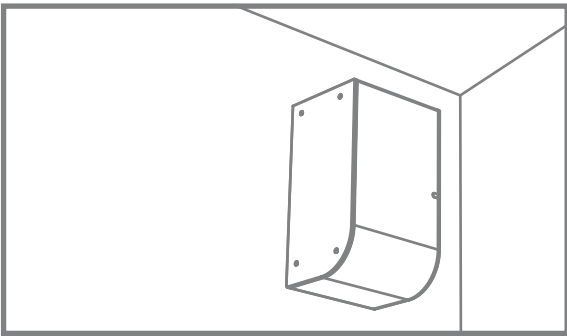
Step 8

Insert bracket locking screw at top of bracket.



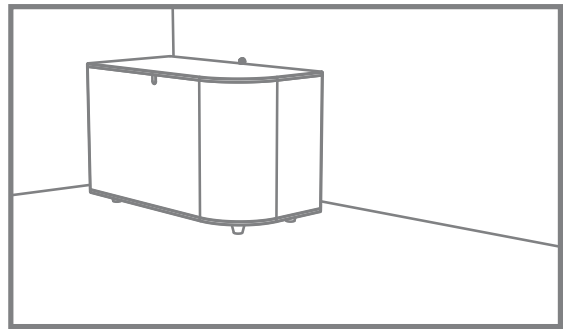
Step 9

Done.



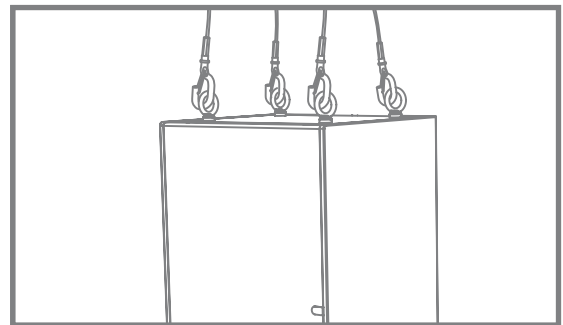
FLOOR OR SHELF MOUNT

Follow steps 1-3. Set subwoofer on floor or shelf.



FLY MOUNT

Insert 4 optional forged eyebolts in M6 inserts on side of speaker cabinet. Use appropriate cables to hang speaker. Follow steps 1-3.



www.cloud.co.uk



www.cloudusa.pro