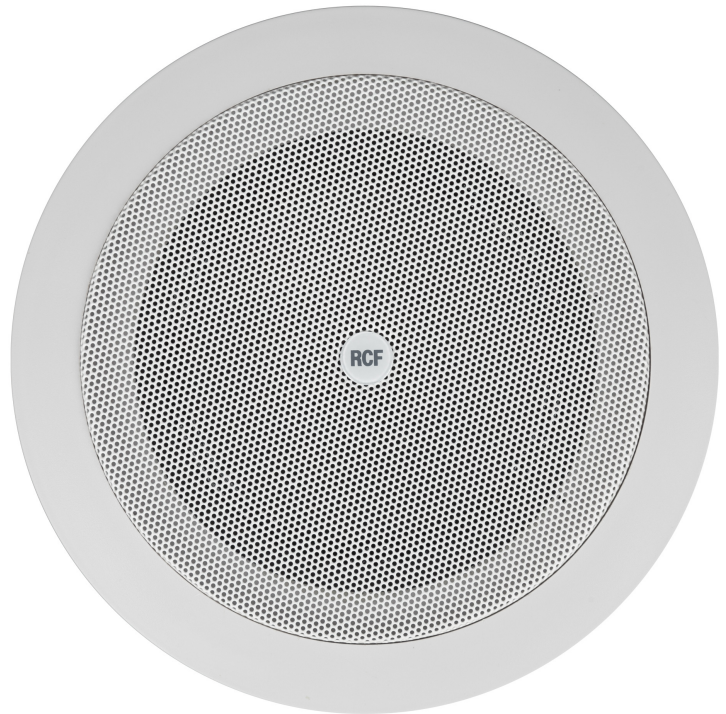


PLP 50EN

CEILING SPEAKER WITH PLASTIC FIRE DOME

DESCRIPTION

PLP 50EN is a ceiling speaker featuring a flameproof plastic back can, designed for recess installation into ceilings or panels. It is especially suitable for broadcasting alarm messages thanks to the highly intelligible sound reproduction and its resistance to high temperatures reached during fires. The terminal connection blocks, for input and output flameproof cables, are made of ceramic material. A thermal fuse protects the integrity of the line in case of heat affecting the speaker. Ground screw available (if needed). Cables inside speaker made using flameproof leads.



FEATURES

- 5" fullrange transducer.
- Power selectable (100 V): 6 W – 3 W – 1.5 W.
- 93 dB sensitivity.
- Colour white RAL 9016.
- Plastic frame and back can, steel grille.
- In/out ceramic terminal block.
- Thermal fuse protection.

TECHNICAL SPECIFICATIONS

Acoustical specifications	Frequency Response (-10dB):	130 Hz ÷ 15000 Hz
	Max SPL @ 1m:	101 dB
	Max SPL @ 4m:	89 dB
	Coverage angle:	165°
	System Sensitivity:	93 dB
	System Sensitivity 1W @ 4m:	81 dB
Power section	Power Handling:	6 W
	Peak Power Handling:	24 W PEAK
	Recommended Amplifier:	12 W
	Protections:	Thermal fuse
Transducers	Fullrange:	5.0"
Input/Output section	Input connectors:	Ceramic screw terminals
	Output connectors:	Ceramic screw terminals
	Constant Voltage Transformer:	100 V
	Power selection 1:	6 W - 1667 ohm
	Power selection 2:	3 W - 3333 ohm
	Power selection 3:	1.5 W - 6667 ohm
Standard compliance	EN54-24 certified:	Yes
	CE marking:	Yes
	CPR number:	0068-CPR-051/2017
Physical specifications	Cabinet/Case Material:	Plastic
	Hardware:	Plastic back cover
	Grille:	Steel
	Color:	White - RAL 9016
Size	Depth:	71 mm / 2.8 inches
	Recessed Depth:	66 mm / 2.6 inches
	Diameter:	175 mm / 6.89 inches
	Cut out diameter:	149 mm / 5.87 inches
	Weight:	0.66 kg / 1.46 lbs
Shipping informations	Package Height:	110 mm / 4.33 inches
	Package Width:	190 mm / 7.48 inches
	Package Depth:	180 mm / 7.09 inches
	Package Weight:	0.66 kg / 1.46 lbs



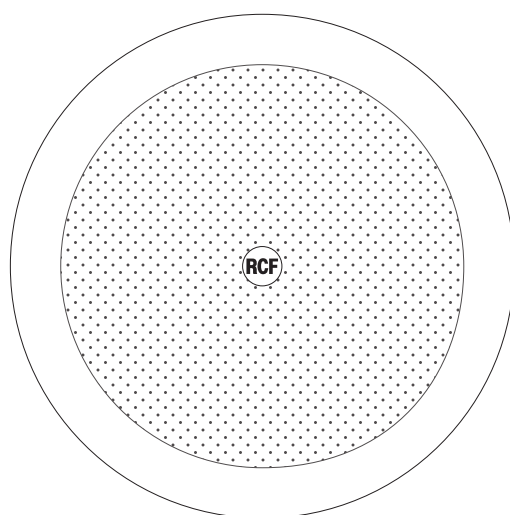
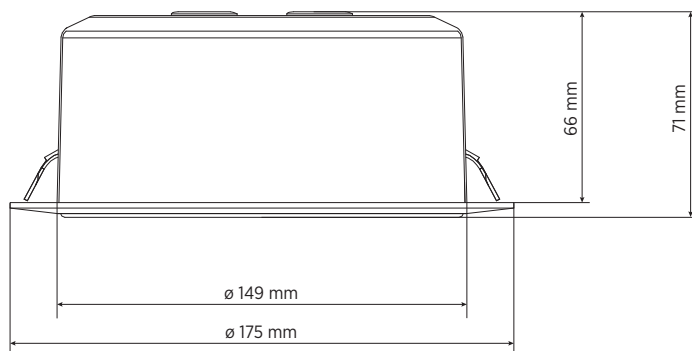
PART NUMBER

- **13100008**

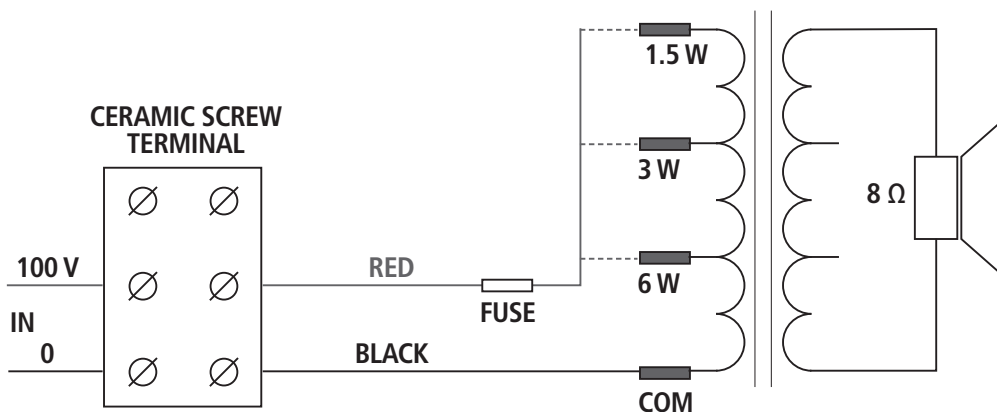
PLP 50EN

EAN 8024530014391

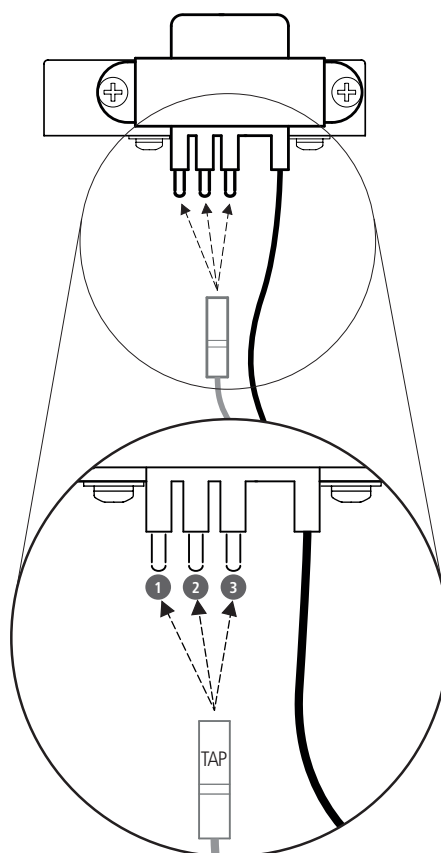
DRAWINGS

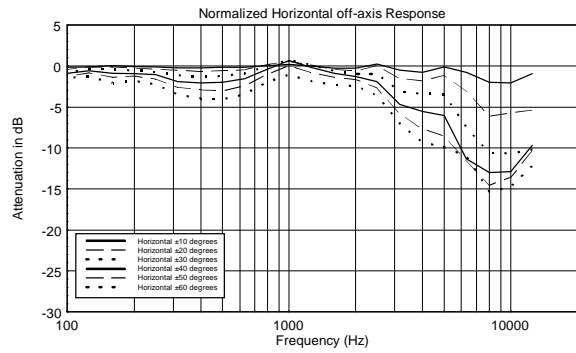
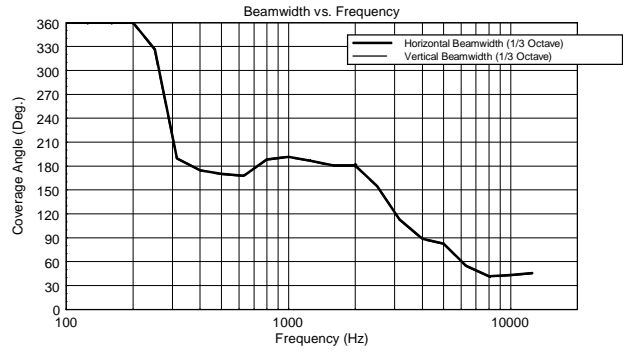
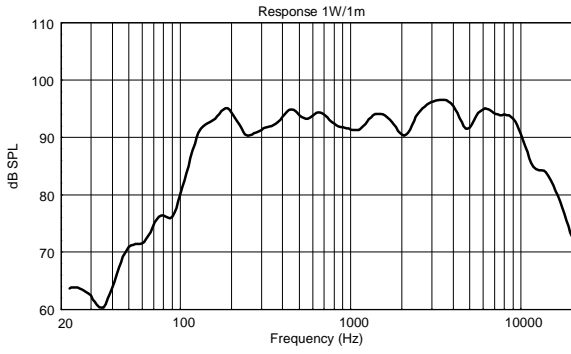


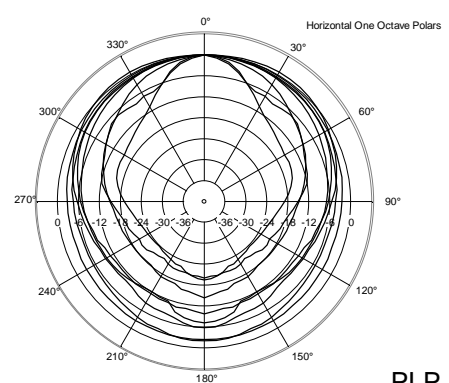
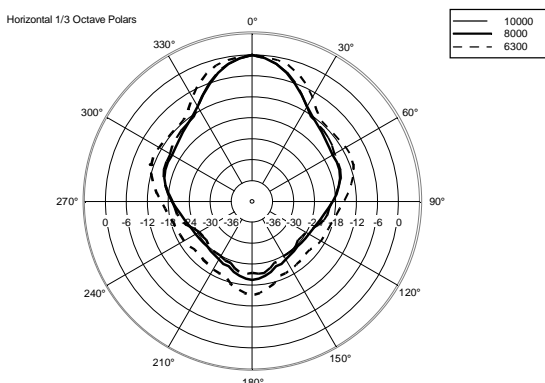
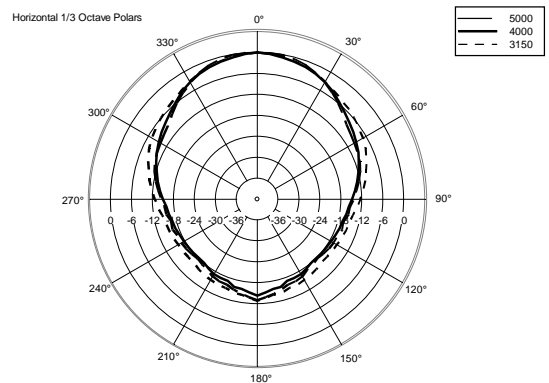
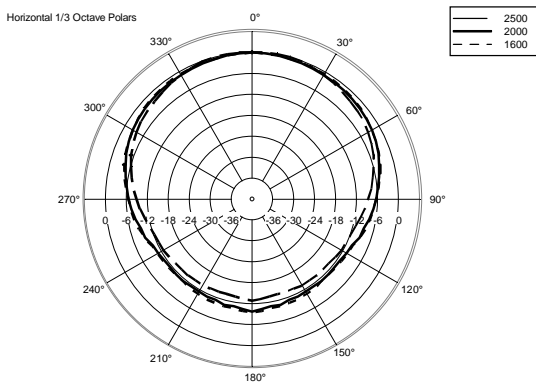
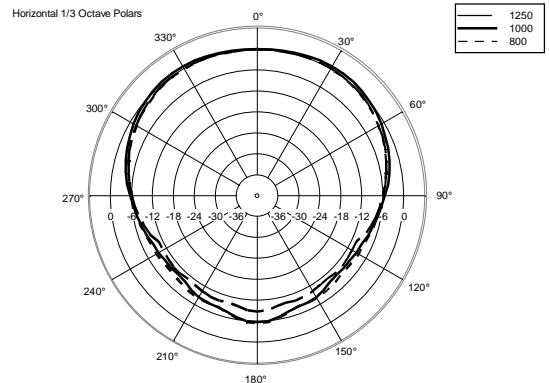
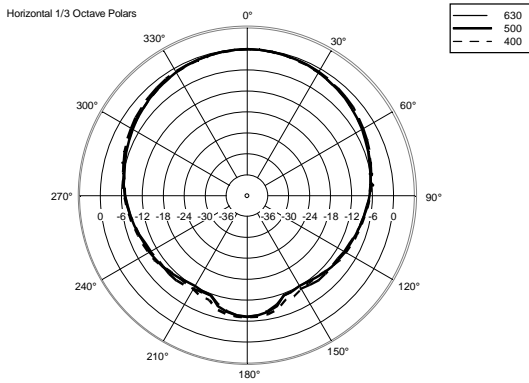
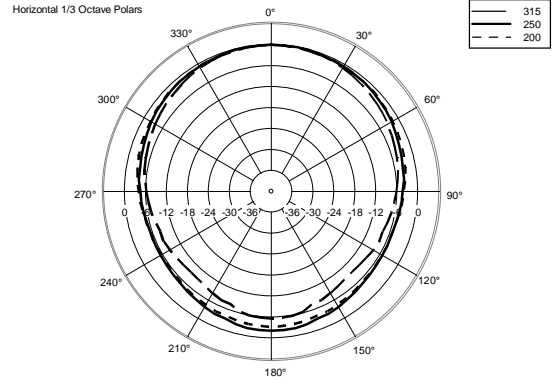
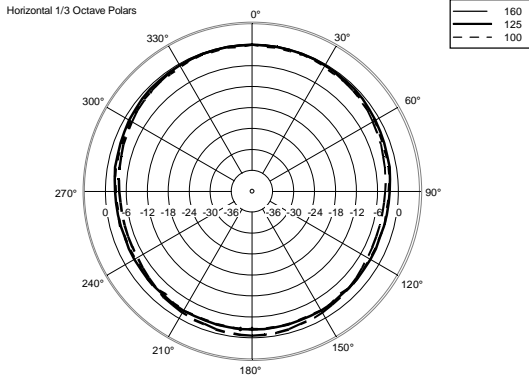
SCHEMATICS



TAP (pins)	POWER (100 V)	POWER (70 V)
1	1.5 W	0.75 W
2	3 W	1.5 W
3	6 W	3 W









ACCESSORIES

A&E SPECIFICATIONS

The product shall be a ceiling speaker having a flameproof plastic backcan, designed for recess installation into ceilings or panels and especially suitable for broadcasting background music into commercial spaces, but also alarm messages thanks to the highly intelligible voice reproduction and the EN 54-24 certification.

It shall feature a plastic frame with steel grille.

The terminal connection blocks, for input and output flameproof cables, shall be made of ceramic material. A thermal fuse shall protect the line integrity in case of heat affecting the speaker.

NOTES

NO CAUTION is NECESSARY in case of ALERTED PERSON for AUDIO voltages up to 120V, when warning symbols are present near the connection terminals. In the case of AUDIO voltages up to 71V, it is not even necessary to put warning symbols.

No need of linking to earth metal parts of speakers equipped with transformers and connected to 70.7 V / 100 V outputs of power amplifiers that do not have any reference to earth (ref. EN 62368-1 item 4.3.2.2), unless specific local requirements.
