

BD 5EN

BIDIRECTIONAL SOUND PROJECTOR

DESCRIPTION

BD 5EN is a 20 W weatherproof sound projector in compliance with EN 54-24:2008 regulations. It is suitable for all those installations where high intelligibility for alarm messages broadcasting and great sound reproduction quality are required; moreover, thanks to its IP 65 protection grade, it can be installed both indoor and outdoor. A modern and endearing design makes it the perfect product for environments where projectors are intended also as architectural elements and contribute to improve global aesthetics.



FEATURES

- 5" full range speaker for alarm voice messages broadcasting and high quality background music
- ABS cabinet with steel mesh grille
- It can be installed both indoors and outdoors (IP 65 protection grade)
- Equipped with transformer for 100 V (/ 70 V) constant voltage lines
- Internal power setting
- Ceramic screw terminal for connection
- Internal thermal fuse

TECHNICAL SPECIFICATIONS

Acoustical specifications	Frequency Response (-10dB):	150 Hz ÷ 18000 Hz
	Max SPL @ 1m:	99 dB
	Max SPL @ 4m:	87 dB
	Coverage angle:	210°
	System Sensitivity:	86 dB
	System Sensitivity 1W @ 4m:	74 dB
Power section	Power Handling:	20 W RMS
	Peak Power Handling:	80 W PEAK
	Recommended Amplifier:	40 W
	Protections:	Thermal fuse
Transducers	Fullrange:	2 x 5.0"
Input/Output section	Input connectors:	Ceramic screw terminals
	Output connectors:	Ceramic screw terminals
	Constant Voltage Transformer:	100 V
	Power selection 1 (100 V):	20 W - 500 ohm
	Power selection 2 (100 V):	10 W - 1000 ohm
	Power selection 3 (100 V):	5 W - 2000 ohm
	Power selection 4 (100 V):	2.5 W - 4000 ohm
Standard compliance	IP protection grade:	IP 65
	EN54-24 certified:	Yes
	CE marking:	Yes
	CPR number:	0068-CPR-058/2014
Physical specifications	Cabinet/Case Material:	ABS
	Hardware:	Wall mount metal plate
	Grille:	Steel
	Color:	White - RAL 9016
Size	Height:	183 mm / 7.2 inches
	Width:	332 mm / 13.07 inches
	Depth:	176 mm / 6.93 inches
	Weight:	3.59 kg / 7.91 lbs
Shipping informations	Package Height:	230 mm / 9.06 inches
	Package Width:	400 mm / 15.75 inches
	Package Depth:	380 mm / 14.96 inches
	Package Weight:	4.63 kg / 10.21 lbs

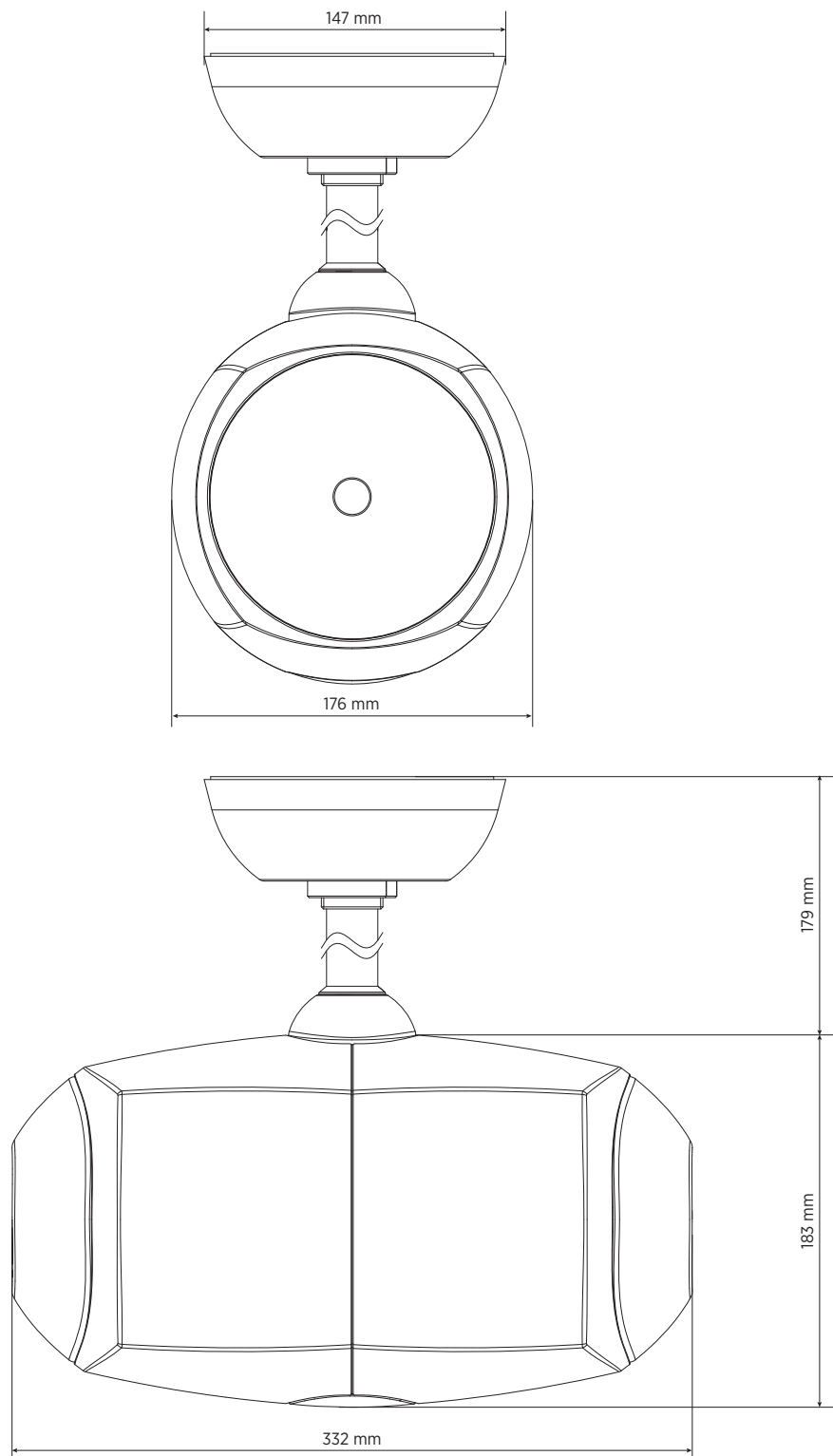


PART NUMBER

- **13133077**

BD 5EN

DRAWINGS



BIDIRECTIONAL SOUND PROJECTOR



DESCRIPTION

BD 5EN is a 20 W weatherproof sound projector in compliance with EN 54-24 regulations.

It is suitable for all those installations where high intelligibility for alarm messages broadcasting and great sound reproduction quality are required; moreover, thanks to its IP 65 protection grade, it can be installed both indoor and outdoor.

A modern and endearing design makes it the perfect product for environments where projectors are intended also as architectural elements and contribute to improve global aesthetics.

MAIN APPLICATIONS

- Voice evacuation system
- Schools
- Shopping malls
- Hospital
- Museums
- Hotels
- Office building

MAIN FEATURES

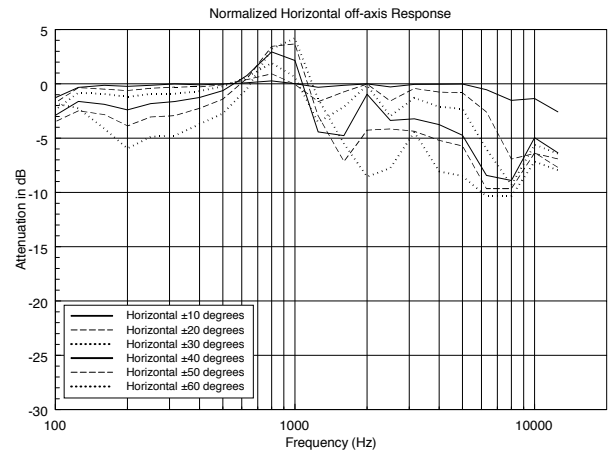
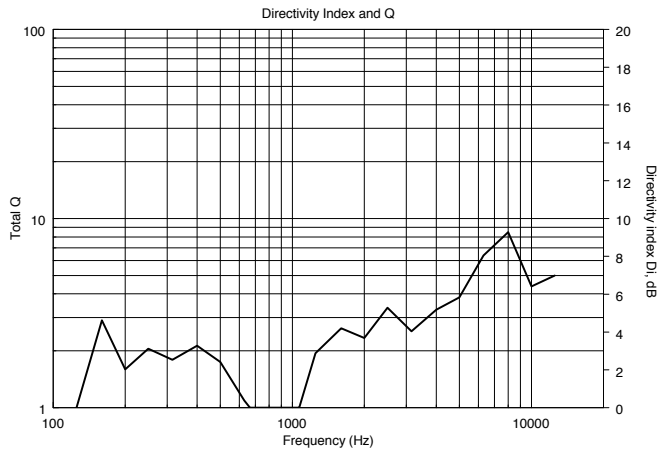
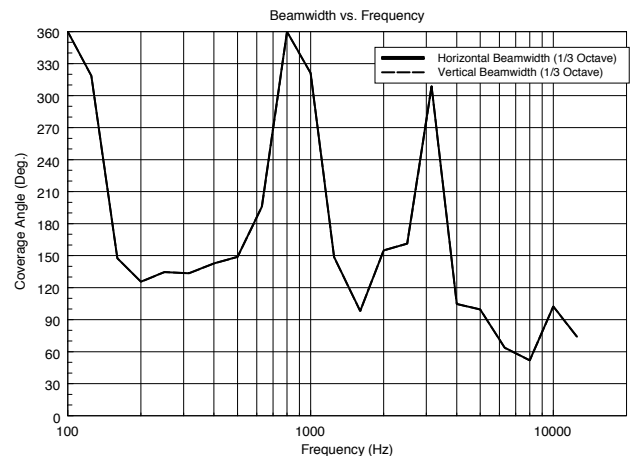
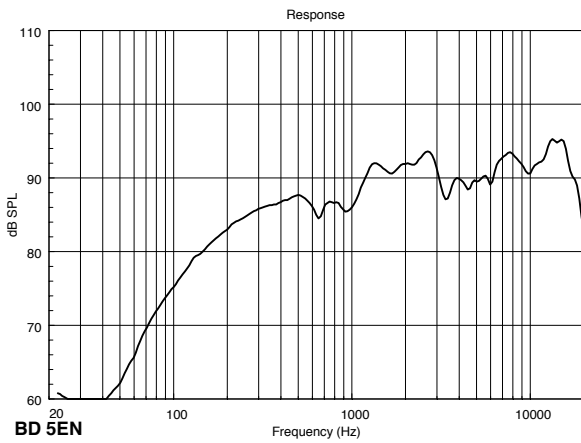
- 2 x 5" full range speakers for alarm voice messages broadcasting and high quality background music
- ABS cabinet with steel mesh grille.
- It can be installed both indoors and outdoors (IP 65 protection grade).
- Equipped with transformer for 100 V (/ 70 V) constant voltage lines.
- Internal power setting.
- Ceramic screw terminal for connection.
- Internal thermal fuse.
- Color: white.

SPECIFICATIONS

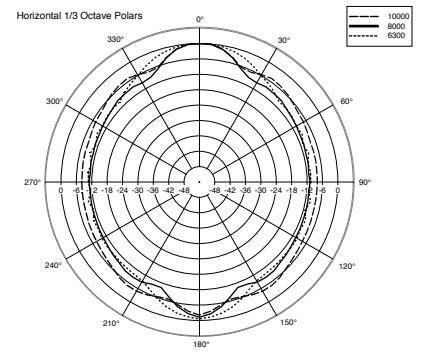
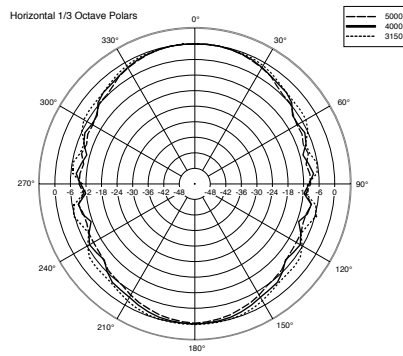
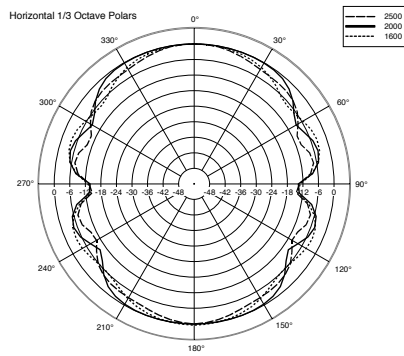
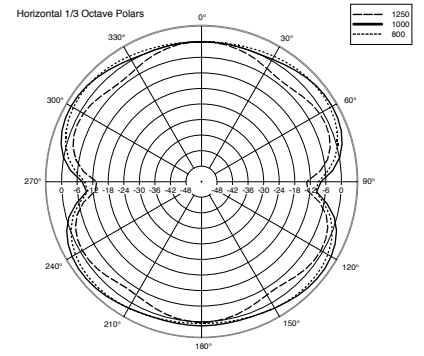
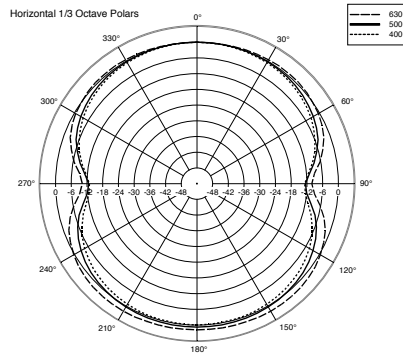
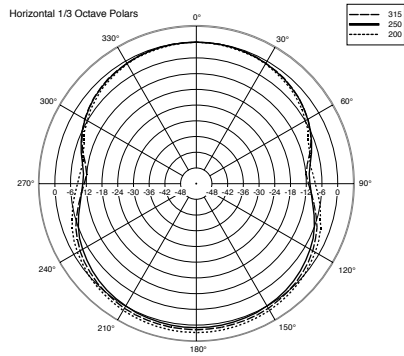
Type:	unidirectional sound projector
Transducers:	2 x 5"
Sensitivity (1 W, 1 m):	86 dB
Max. sound pressure (20 W, 1 m):	99 dB
Max. sound pressure (20 W, 4 m):	87 dB
Frequency response (-10 dB):	150 Hz ÷ 18 kHz
Horizontal coverage:	130° (in both directions)
Power taps (100 V):	20 – 10 – 5 – 2.5W
Input impedance:	500 Ω – 1 kΩ – 2 kΩ – 4 kΩ
Enclosure material:	ABS
Use:	indoor – outdoor
IP grade:	IP 65
Dimensions (without bracket):	Ø 180 mm, 340 mm
Colour:	white
Net weight:	3.5 kg

BD 5EN

DATASHEET



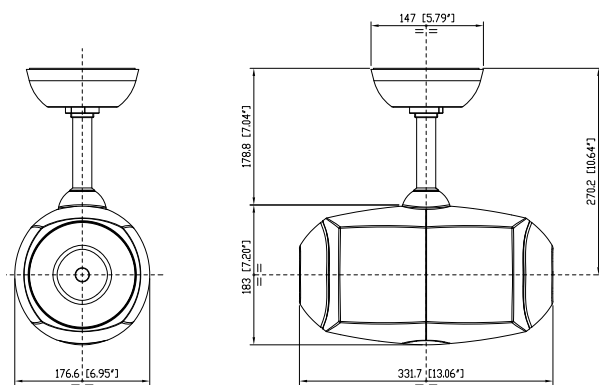
HORIZONTAL 1/3 POLAR PLOT



PART NUMBERS

131.33.077

DIMENSIONS (All data are in mm)

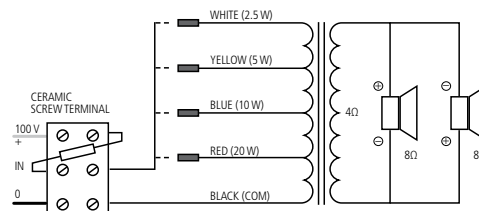


POWER SELECTION

Select the power rate by connecting only one of the four wires (coming out from the transformer primary winding) to the central screw of the ceramic terminal strip:

- 20 W, red wire
- 10 W, blue wire
- 5 W, yellow wire
- 2.5 W, white wire

If connecting to a 70 V line, the power will be halved (red: 10 W, blue: 5 W, yellow: 2.5 W, white: 1.25 W).



INSTALLATION NOTES

The BD 5EN is designed for wall-mount installation, so ensure the wall has the necessary mechanical characteristics to support the loudspeaker weight. Before installing the loudspeaker, carefully check all components to be used and make sure there is no damage, deformation, corrosion and/or missing or damaged parts that could reduce the safety of the installation.

CERTIFICATIONS AND APPROVALS

- EN 54-24:2008 compliant.