

MR 52EN

TWO-WAY BASS REFLEX SPEAKER

DESCRIPTION

MR 52EN is a compact two-way speaker ideal for both alarm messages broadcasting and business music systems. The installation is fast and efficient using the adjustable mounting bracket (included). The enclosure is made of high-density ABS and includes a protective steel grille and connection cover. The terminal connection blocks, for input and output flameproof cables, are made of ceramic material. A thermal fuse protects the integrity of the line in case of heat affecting the speaker. Power selectable with dedicated switch.



FEATURES

- 5" woofer with 1" dome tweeter.
- Power selectable (100 V): 30 W – 15 W – 7.5 W – 3.75 W.
- 89 dB sensitivity.
- Colour white RAL 9016 or black RAL 9005.
- Flameproof ABS body, steel grille.
- In/out ceramic terminal block.
- Thermal fuse protection.

TECHNICAL SPECIFICATIONS

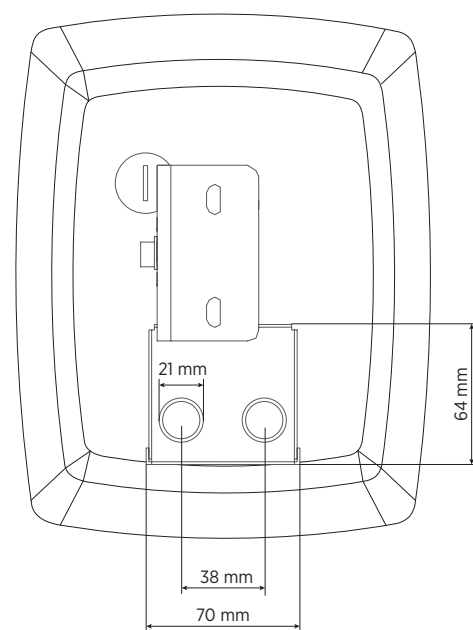
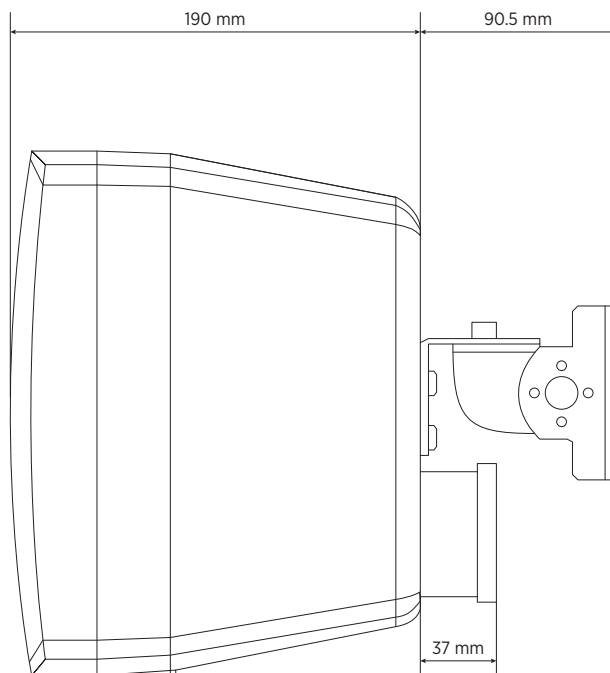
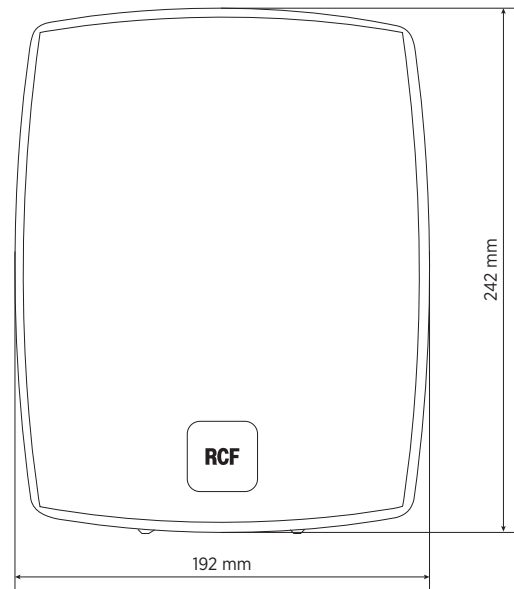
Acoustical specifications	Frequency Response (-10dB):	80 Hz ÷ 20000 Hz
	Max SPL @ 1m:	103 dB
	Max SPL @ 4m:	91 dB
	Coverage angle:	180°
	System Sensitivity:	89 dB
	System Sensitivity 1W @ 4m:	77 dB
Power section	Power Handling:	30 W
	Peak Power Handling:	120 W PEAK
	Recommended Amplifier:	60 W
	Protections:	Thermal fuse
Transducers	Dome Tweeter:	1.0"
	Woofers:	5.0"
Input/Output section	Input connectors:	Ceramic screw terminals
	Output connectors:	Ceramic screw terminals
	Constant Voltage Transformer:	100 V
	Power selection 1:	30 W - 333 ohm
	Power selection 2:	15 W - 667 ohm
	Power selection 3:	7.5 W - 1333 ohm
Power selection 4:	3.75 W - 2667 ohm	
Standard compliance	EN54-24 certified:	Yes
	CE marking:	Yes
	CPR number:	1488-CPR-0591/W
Physical specifications	Cabinet/Case Material:	ABS
	Grille:	Steel
	Color:	White - RAL 9016, Black - RAL 9005
Size	Height:	242 mm / 9.53 inches
	Width:	192 mm / 7.56 inches
	Depth:	190 mm / 7.48 inches
	Weight:	3 kg / 6.61 lbs
Shipping informations	Package Height:	300 mm / 11.81 inches
	Package Width:	310 mm / 12.2 inches
	Package Depth:	200 mm / 7.87 inches
	Package Weight:	3.5 kg / 7.72 lbs



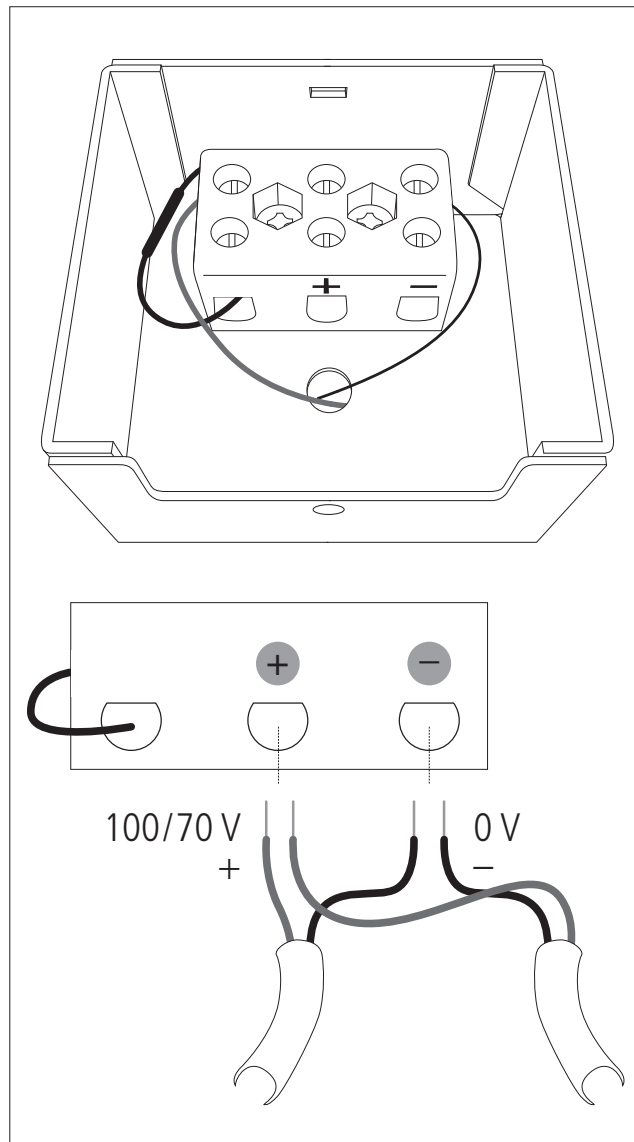
PART NUMBER

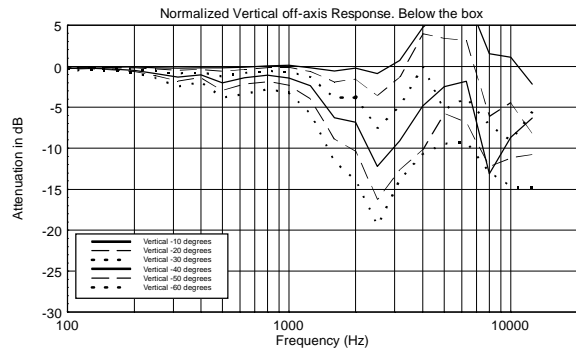
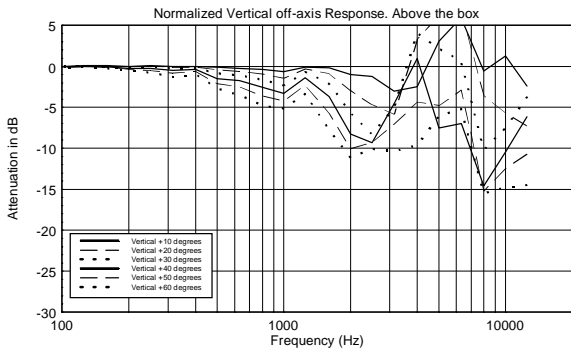
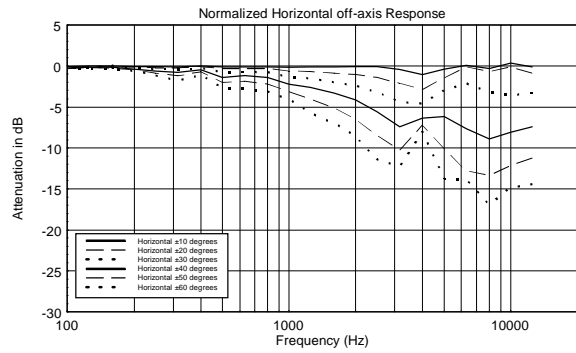
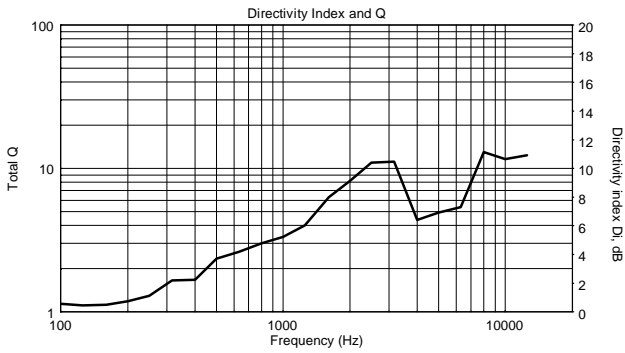
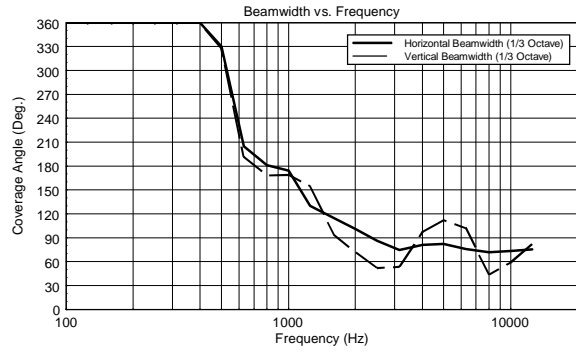
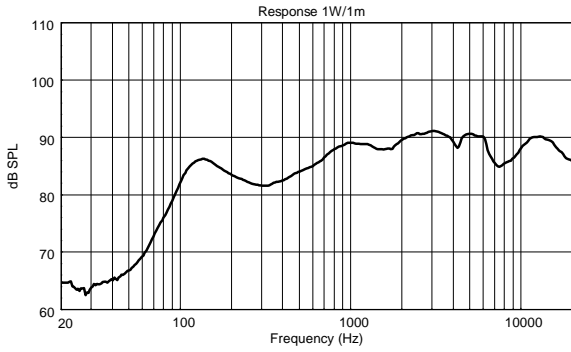
- **13100010**
MR 52EN W
White - RAL 9016
EAN 8024530014438

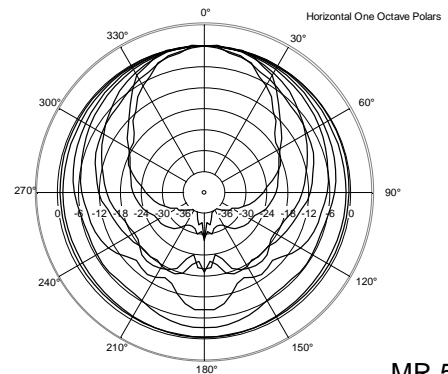
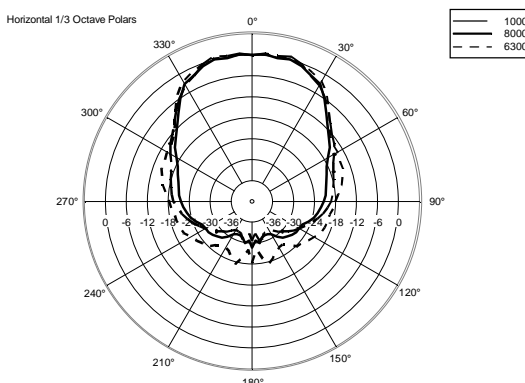
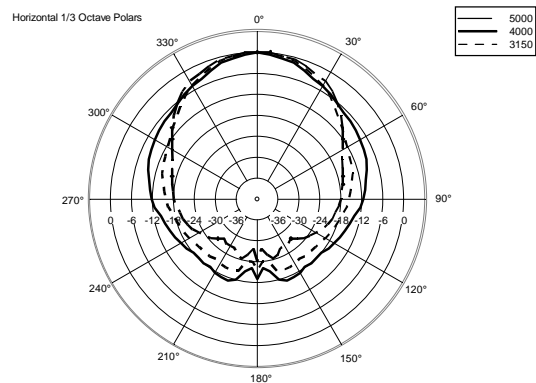
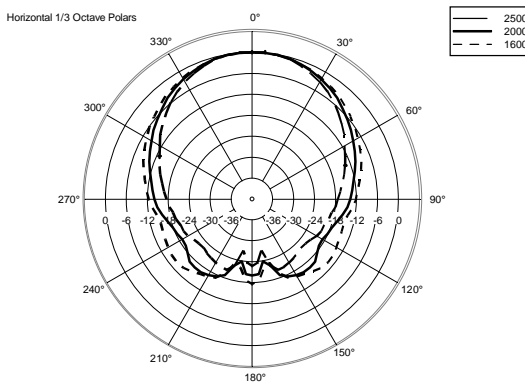
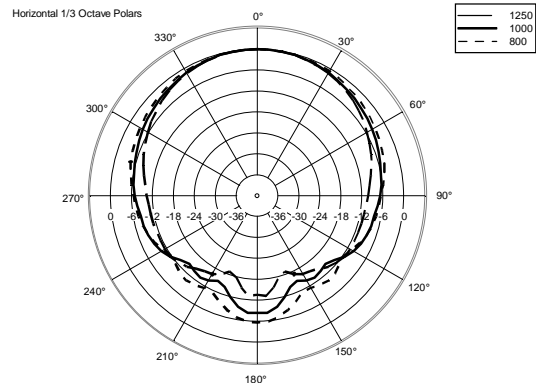
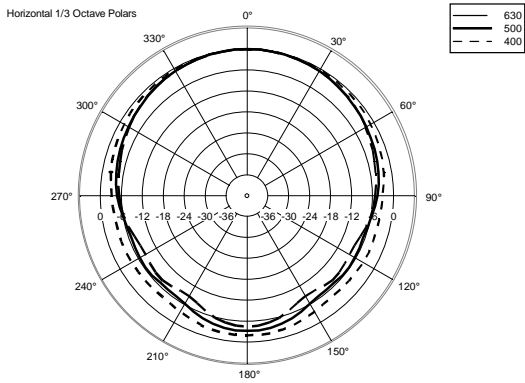
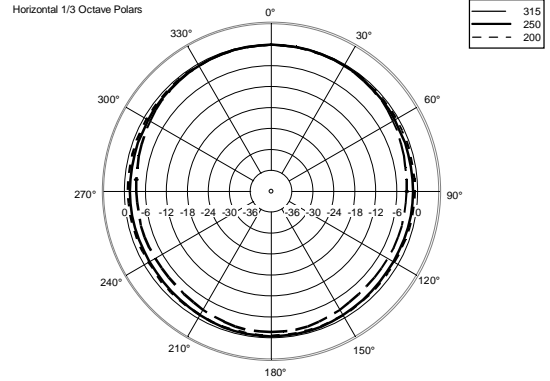
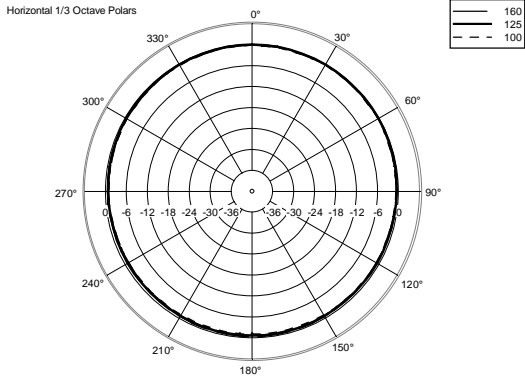
DRAWINGS

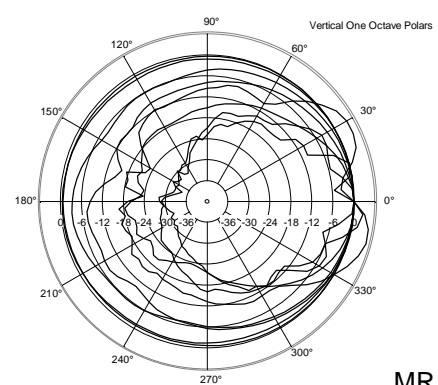
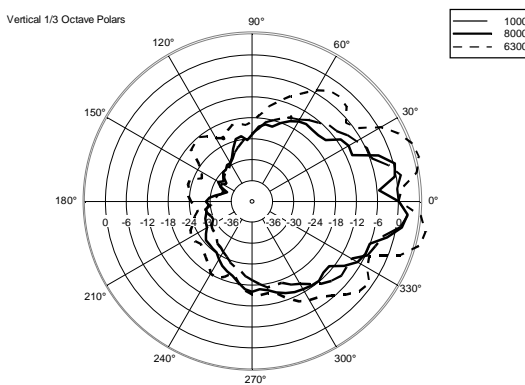
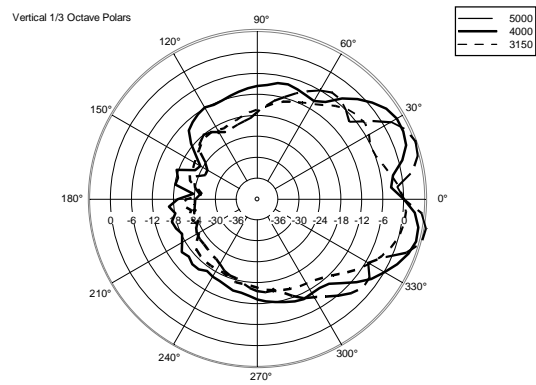
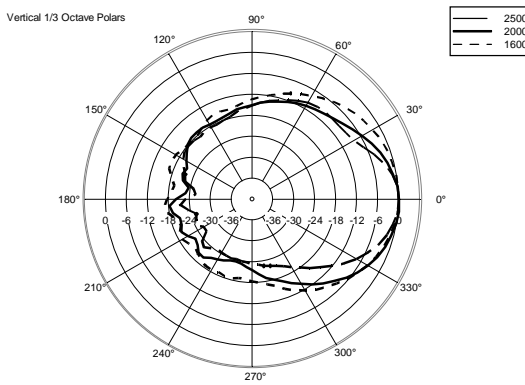
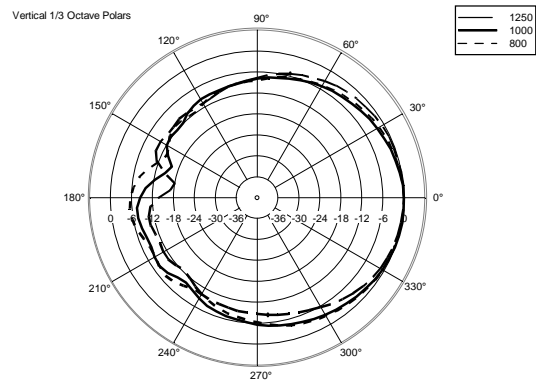
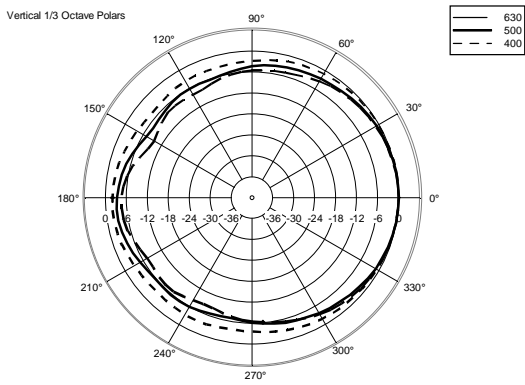
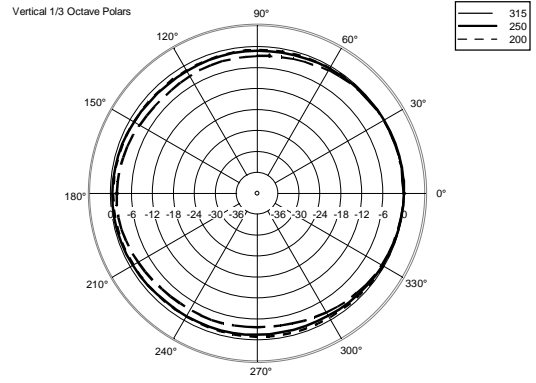
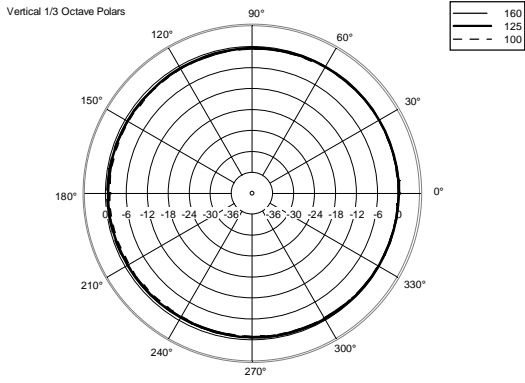


SCHEMATICS











ACCESSORIES

A&E SPECIFICATIONS

The product shall be a multipurpose two-way bass-reflex speaker, suitable for a wide range of applications, providing a balanced sound in near-field applications.

It shall be suitable for broadcasting background music into commercial spaces, but also alarm messages, thanks to the highly intelligible voice reproduction and the EN 54-24 certification.

Its design shall be elegant and compact with accurate finishing, suitable for almost any environment, even with architectural constraints.

It shall be equipped with a 5" woofer and a 1" dome tweeter and shall include an internal transformer (with a power selector on the rear side) that allows the connection to 70 / 100 V constant voltage lines.

The terminal connection blocks, for input and output flameproof cables, shall be made of ceramic material. A thermal fuse shall protect the line integrity in case of heat affecting the speaker.

NOTES

NO CAUTION is NECESSARY in case of ALERTED PERSON for AUDIO voltages up to 120V, when warning symbols are present near the connection terminals. In the case of AUDIO voltages up to 71V, it is not even necessary to put warning symbols.

No need of linking to earth metal parts of speakers equipped with transformers and connected to 70.7 V / 100 V outputs of power amplifiers that do not have any reference to earth (ref. EN 62368-1 item 4.3.2.2), unless specific local requirements.